

**RT42 (B303)**

## PARTS CATALOG

### INTRODUCTION

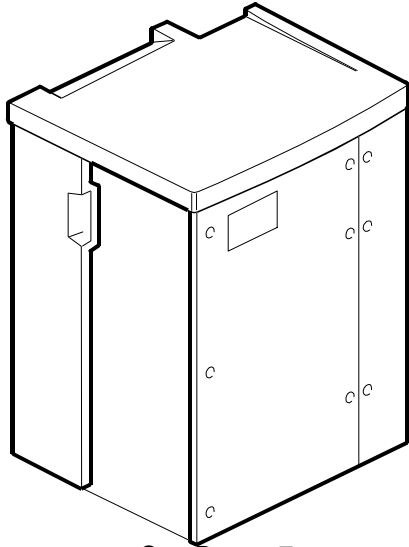
This chapter instructs you the numbers and names of parts on this machine.

### INDEX to PARTS CATALOG

<b>LOCATION OF UNIT .....</b>	<b>2</b>
1.EXTERIOR (B303) .....	6
2.PAPER TRAY SECTION 1 (B303) .....	8
3.PAPER TRAY SECTION 2 (B303) .....	10
4.PAPER TRAY SECTION 3 (B303) .....	12
5.PAPER TRAY SECTION 4 (B303) .....	14
6.PAPER FEED UNIT 1 (B303).....	16
7.PAPER FEED UNIT 2 (B303).....	18
8.TRANSPORT SECTION 1 (B303).....	20
9.TRANSPORT SECTION 2 (B303).....	22
10.TRANSPORT SECTION 3 (B303).....	24
11.DRIVE SECTION (B303).....	26
12.ELECTRICAL SECTION (B303).....	28
13.FRAME SECTION 1 (B303) .....	30
14.FRAME SECTION 2 (B303) .....	32
15.DECAL AND DOCUMENT (B303) .....	34
<b>PARTS INDEX .....</b>	<b>37</b>

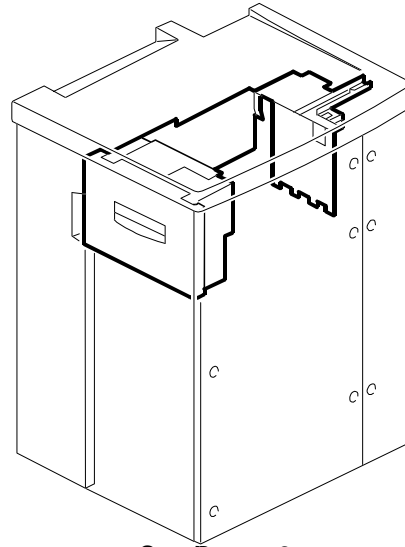
# LOCATION OF UNIT

1.EXTERIOR (B303)



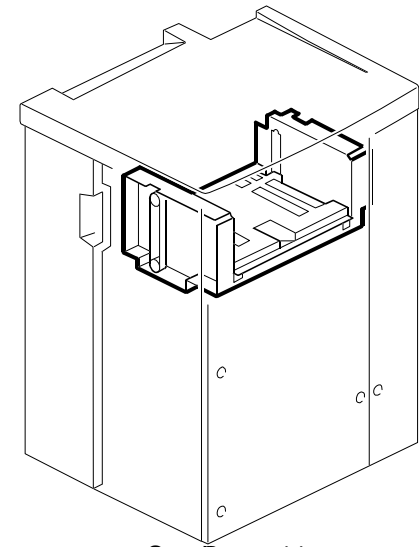
See Page 7

2.PAPER TRAY SECTION 1 (B303)



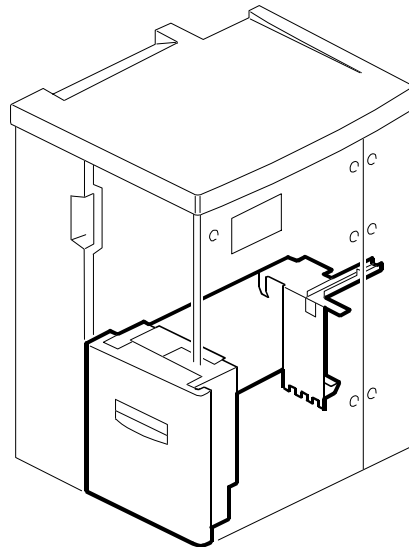
See Page 9

3.PAPER TRAY SECTION 2 (B303)



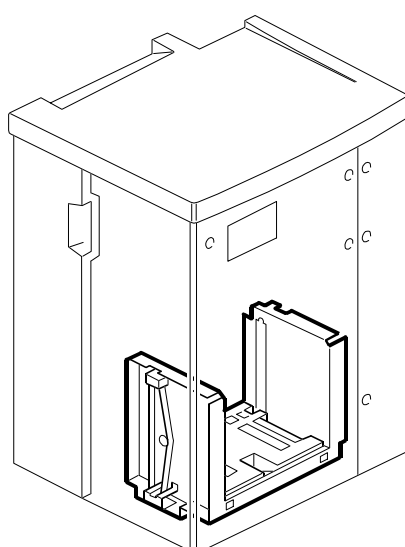
See Page 11

4.PAPER TRAY SECTION 3 (B303)



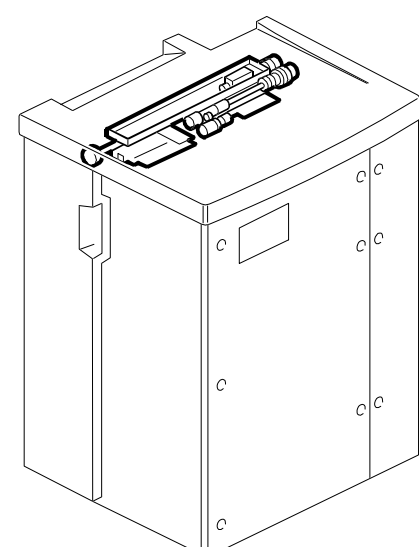
See Page 13

5.PAPER TRAY SECTION 4 (B303)



See Page 15

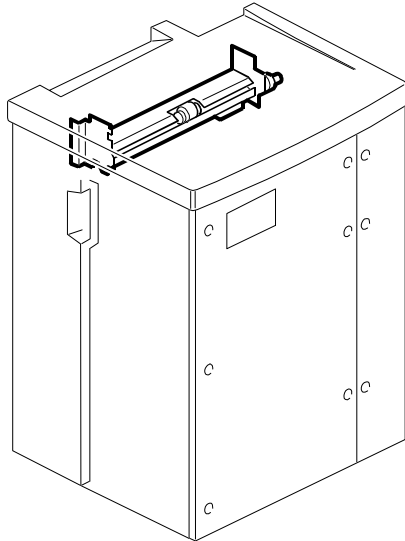
6.PAPER FEED UNIT 1 (B303)



See Page 17

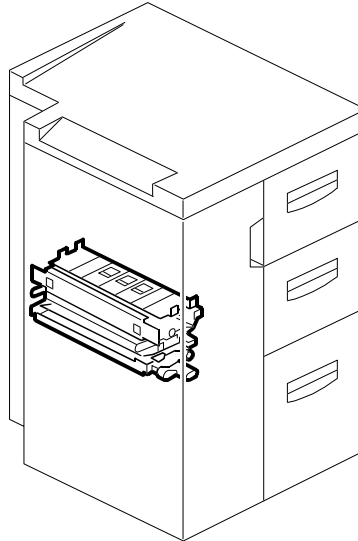
# LOCATION OF UNIT

7.PAPER FEED UNIT 2 (B303)



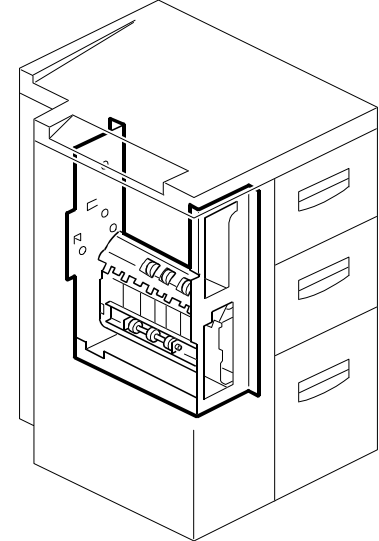
See Page 19

8.TRANSPORT SECTION 1 (B303)



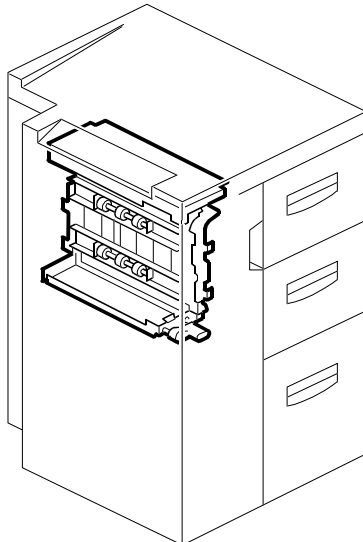
See Page 21

9.TRANSPORT SECTION 2 (B303)



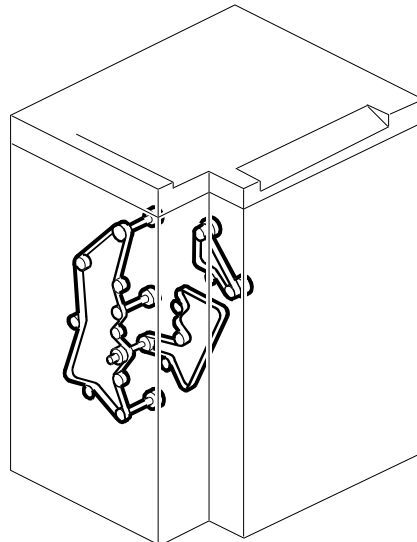
See Page 23

10.TRANSPORT SECTION 3 (B303)



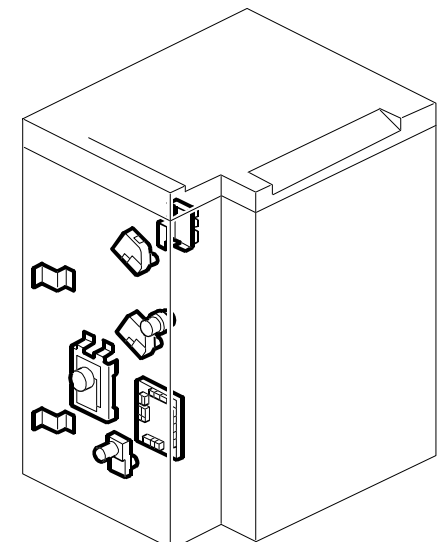
See Page 25

11.DRIVE SECTION (B303)



See Page 27

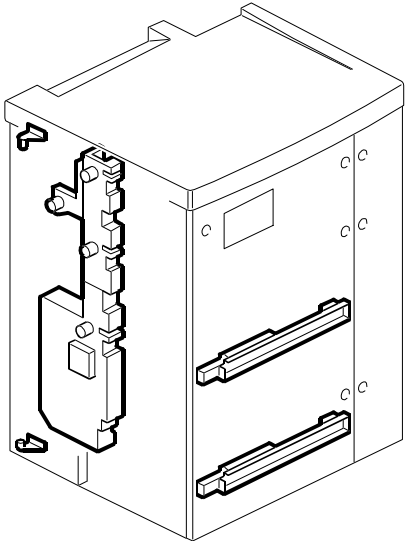
12.ELECTRICAL SECTION (B303)



See Page 29

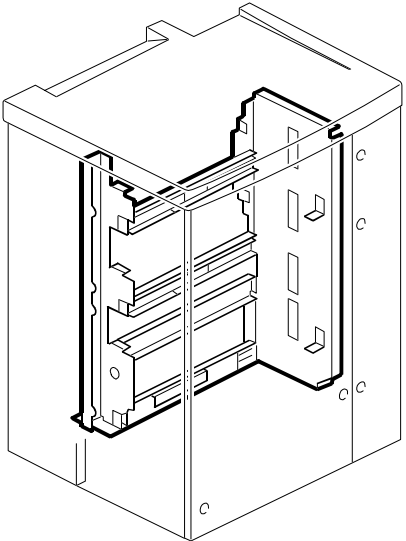
**LOCATION OF UNIT**

13.FRAME SECTION 1 (B303)



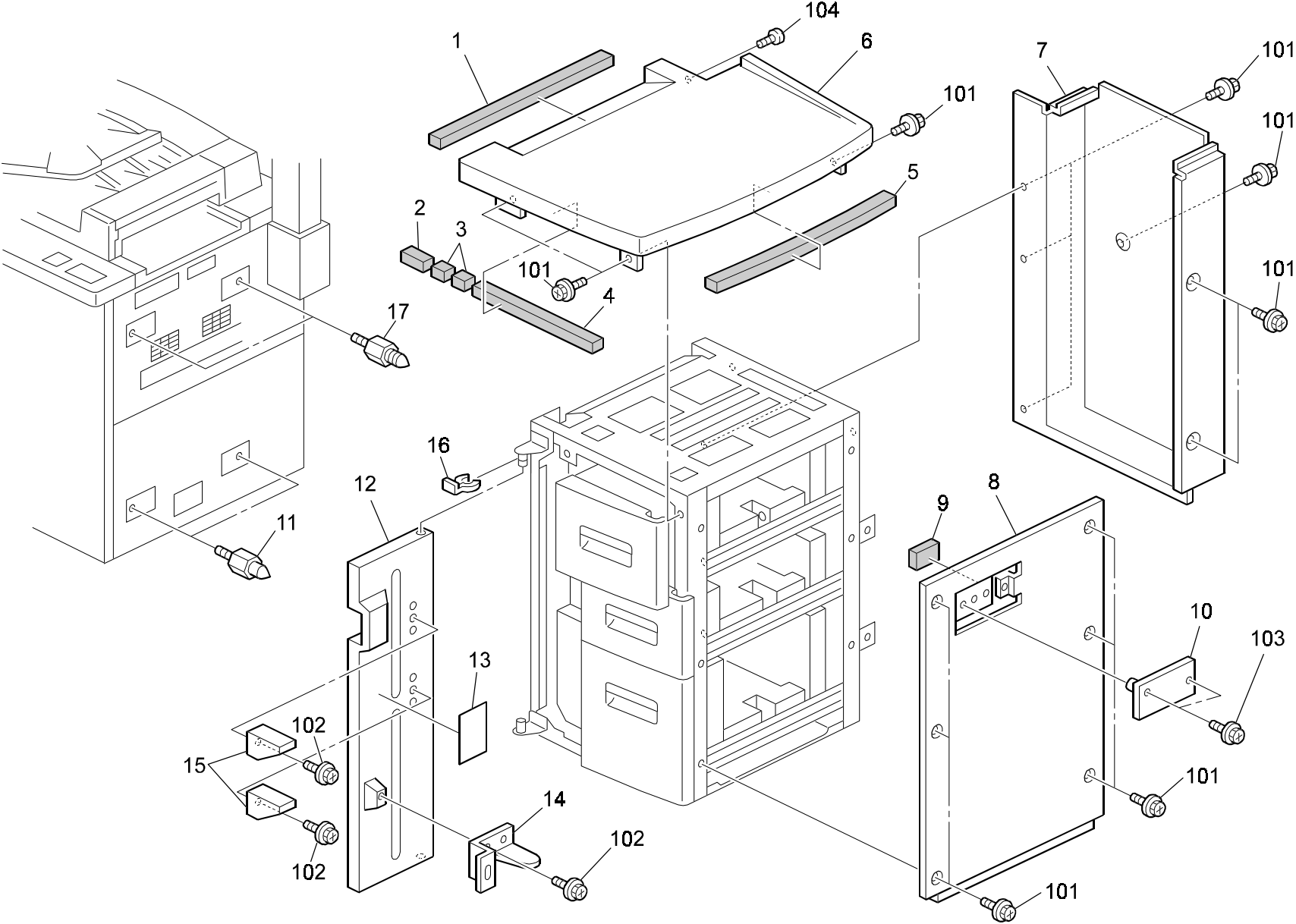
See Page 31

14.FRAME SECTION 2 (B303)



See Page 33

1.EXTERIOR (B303)



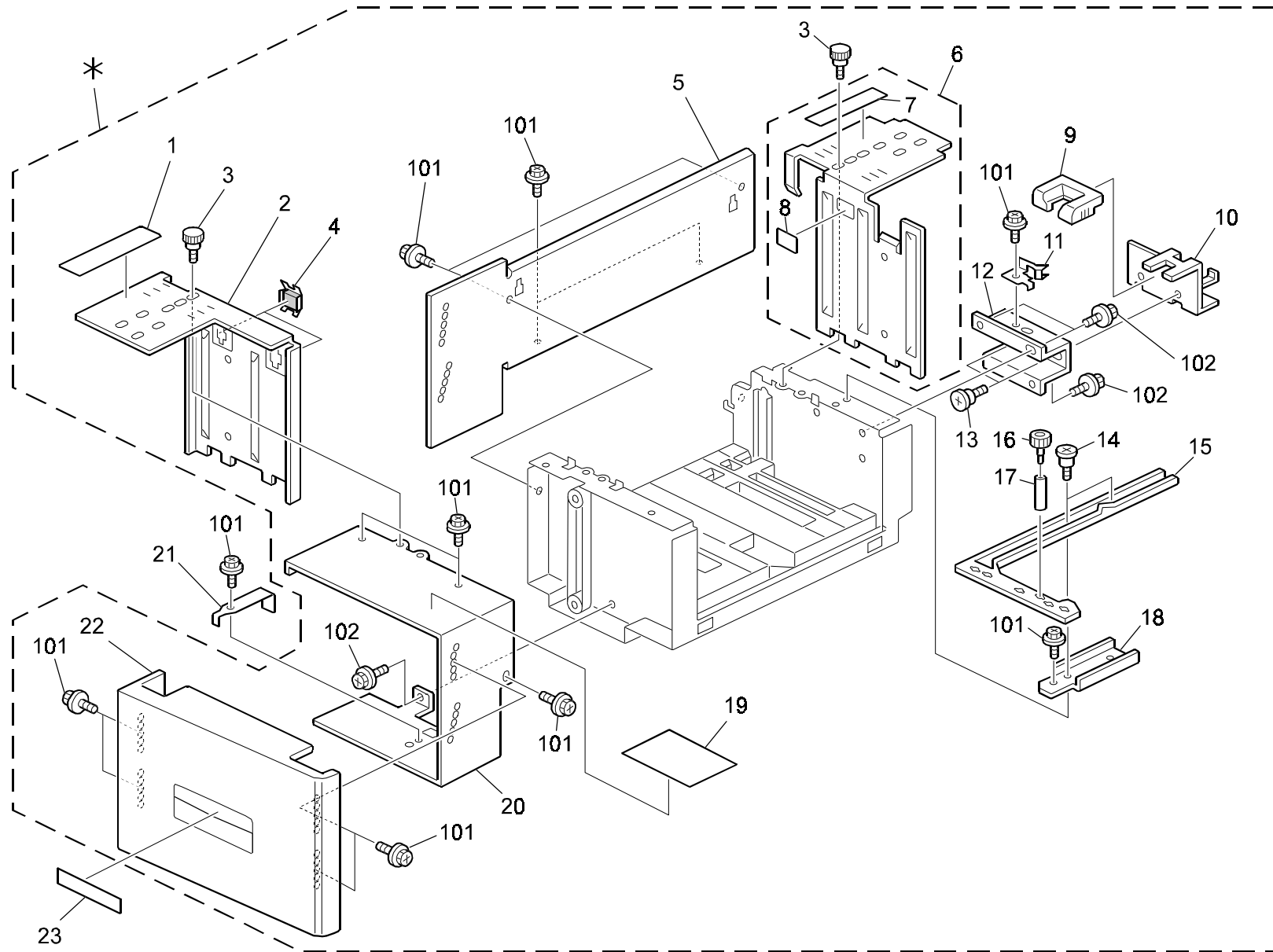
# 1.EXTERIOR (B303)



Index No.	Part No.	Description	Qty Per Assembly
1	B303 1371	Cushion - 10x595	1
2	B303 1374	Cushion - 15x50	1
3	B303 1376	Cushion - 15x30	2
4	B303 1373	Cushion - 15x372	1
5	B303 1372	Cushion - 15x700	1
6	B303 1370	Upper Cover	1
7	B303 1375	Rear Cover	1
8	B303 1385	Right Cover	1
9	B303 2729	Cushion - 30x38	1
10	B303 1386	Key Counter Cover	1
11	B303 1101	Pin - 12x35	2
12	B303 1360	Left Cover	1
13	B303 1309	Decal - Misfeed Removal	1
14	B303 1361	Magnet Catch	1
15	A606 1595	Small Door Cover	2
16	5447 2681	Snap Ring	1
17	B303 1100	Pin - 14x33	2

Index No.	Part No.	Description	Qty Per Assembly
101	0451 4008H	Tapping Screw - 4x8	
102	0451 4008B	Philips Tapping Screw - M4x8	
103	0451 4012H	Tapping Screw - 4x12	
104	0450 4008B	Tapping Screw - 4x8	

## 2.PAPER TRAY SECTION 1 (B303)



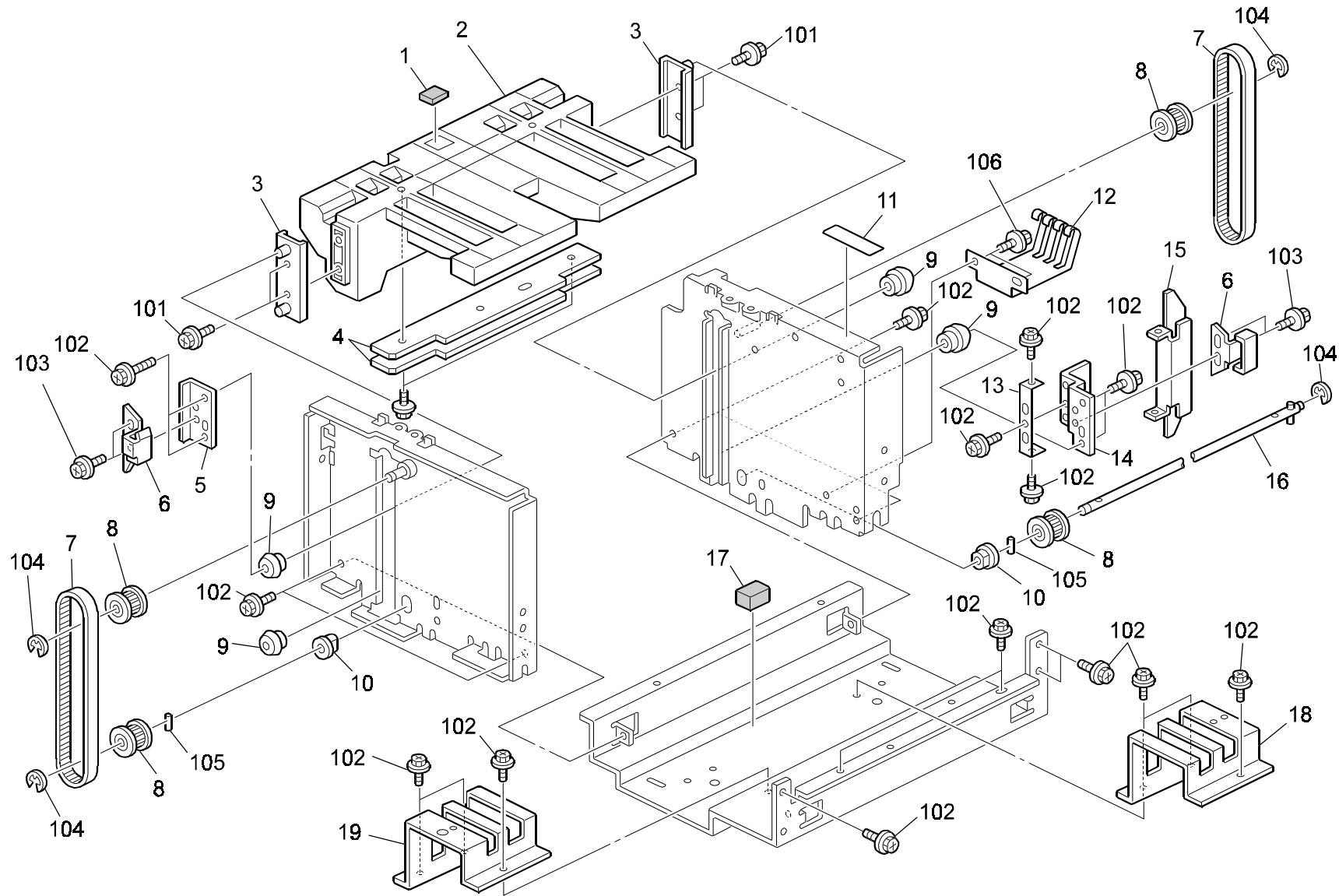


## 2.PAPER TRAY SECTION 1 (B303)

Index No.	Part No.	Description	Qty Per Assembly
*	B303 2801	Upper & Middle Paper Tray - LT	1
*	B303 2800	Upper & Middle Paper Tray - A4	1
1	B303 1304	Decal - Paper Position	1
2	B303 2872	Front Side Fence	1
3	B303 2877	Knob Screw	2
4	B303 2777	Paper Guide Mylar	1
5	B303 2821	Front Guide Plate	1
6	B303 2875	Rear Side Fence	1
7	B303 1305	Decal - Paper Position	1
8	A048 2955	Decal- Manual Feed	1
9	B303 2888	Paper Size Lever	1
10	B303 2887	Paper Size Actuator	1
11	B303 2889	Spring Plate	1
12	B303 2886	Sensor Bracket	1
13	A499 1378	Stepped Screw - M4x6	1
14	AA14 3074	Stepped Screw - M4x5	1
15	B303 2781	Paper Guide Fence	1
16	B303 2782	Knob Screw	1
17	B303 2784	Rubber Tube - 2x4x32	1
18	B303 2783	Guide Fence Bracket	1
19	B303 1302	Decal - Paper Set	1
20	B303 2822	Upper Cover	1
21	B303 2896	5th Guide Fence Stopper	1
21	B303 2895	4th Guide Fence Stopper	1
22	B303 1380	Small Tray Cover	1
23	B303 1313	5th Tray Decal	1
23	B303 1312	4th Tray Decal	1

Index No.	Part No.	Description	Qty Per Assembly
101	0451 4008B	Philips Tapping Screw - M4x8	
102	0802 5282	Tapping Screw - M4x8	

### 3.PAPER TRAY SECTION 2 (B303)

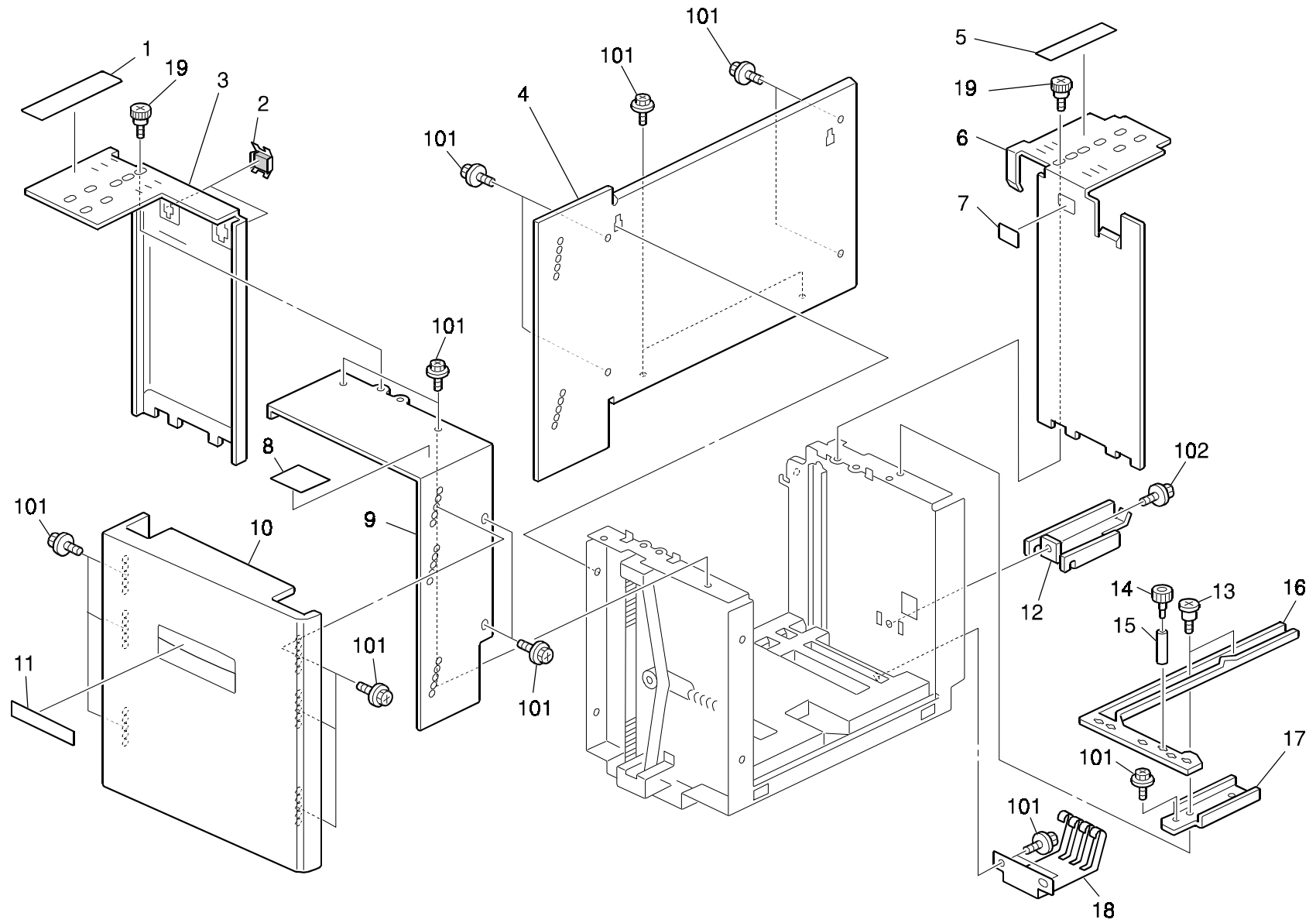


### 3.PAPER TRAY SECTION 2 (B303)

Index No.	Part No.	Description	Qty Per Assembly
1	A667 2656	Friction Pad	1
2	B303 2735	Paper Tray Base Plate	1
3	B303 2732	Paper Tray Shaft Bracket	1
4	B303 2737	Weight Plate	2
5	B303 2742	Bracket	1
6	A667 2660	Belt Stopper	2
7	AA04 3910	Timing Belt - B100S5M435	2
8	AB03 0548	Pilley - 16T	4
9	A335 4351	Guide Roller	4
10	AA08 2096	Bushing - 8x12x7	2
11	B303 1303	Decal - Paper Size	1
12	B303 2723	Grounding Plate	1
13	B303 2745	Spring Plate	1
14	B303 2743	Bracket	1
15	B303 2744	Paper Actuator	1
16	B303 2851	Paper Lift Shaft - 1K	1
17	B303 2729	Cushion - 30x38	1
18	B303 2726	Fixing Plate	1
19	B303 2725	Fixing Plate	1

Index No.	Part No.	Description	Qty Per Assembly
101	0450 4014W	Tapping Screw - M4x14	
102	0451 4008B	Philips Tapping Screw - M4x8	
103	0451 3008B	Tapping Screw - M3x8	
104	0720 0060E	Retaining Ring - M6	
105	0633 0140G	Parallel Pin - 3x14	
106	0802 5282	Tapping Screw - M4x8	

# 4.PAPER TRAY SECTION 3 (B303)

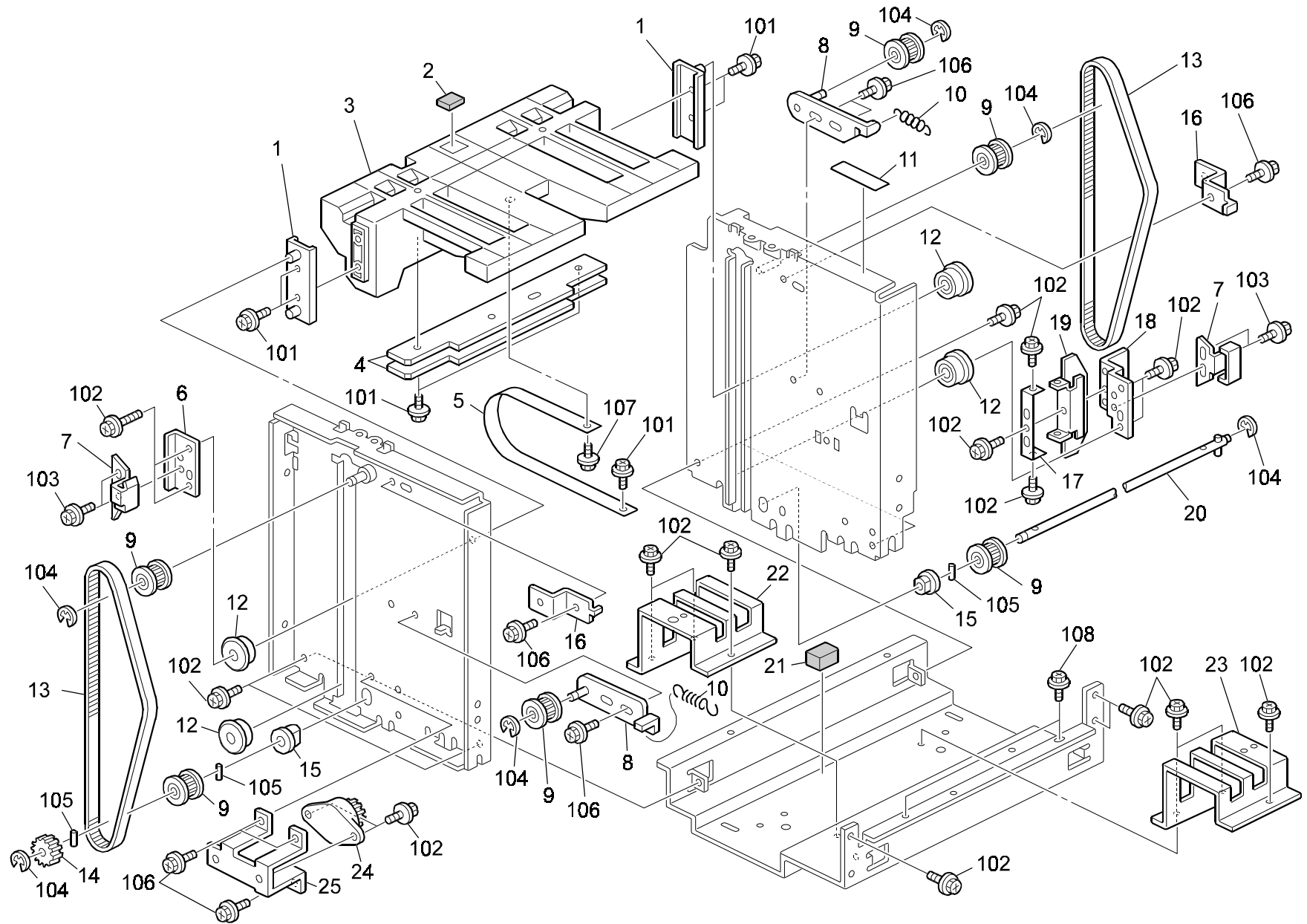


### 4.PAPER TRAY SECTION 3 (B303)

Index No.	Part No.	Description	Qty Per Assembly
*	B303 2701	Lower Paper Tray - LT	1
*	B303 2700	Lower Paper Tray - A4	1
1	B303 1304	Decal - Paper Position	1
2	B303 2777	Paper Guide Mylar	1
3	B303 2771	Front Side Fence	1
4	B303 2721	Front Guide Plate	1
5	B303 1305	Decal - Paper Position	1
6	B303 2775	Rear Side Fence	1
7	A048 2955	Decal- Manual Feed	1
8	B303 1311	Decal - Paper Set	1
9	B303 2722	Upper Cover	1
10	B303 1381	Large Tray Cover	1
11	B303 1314	Decal - Tray	1
12	B303 2727	Sensor Bracket	1
13	AA14 3074	Stepped Screw - M4x5	2
14	B303 2782	Knob Screw	1
15	B303 2784	Rubber Tube - 2x4x32	1
16	B303 2781	Paper Guide Fence	1
17	B303 2783	Guide Fence Bracket	1
18	B303 2723	Grounding Plate	1
19	B303 2877	Knob Screw	1

Index No.	Part No.	Description	Qty Per Assembly
101	0451 4008B	Philips Tapping Screw - M4x8	
102	0802 5282	Tapping Screw - M4x8	

# 5.PAPER TRAY SECTION 4 (B303)

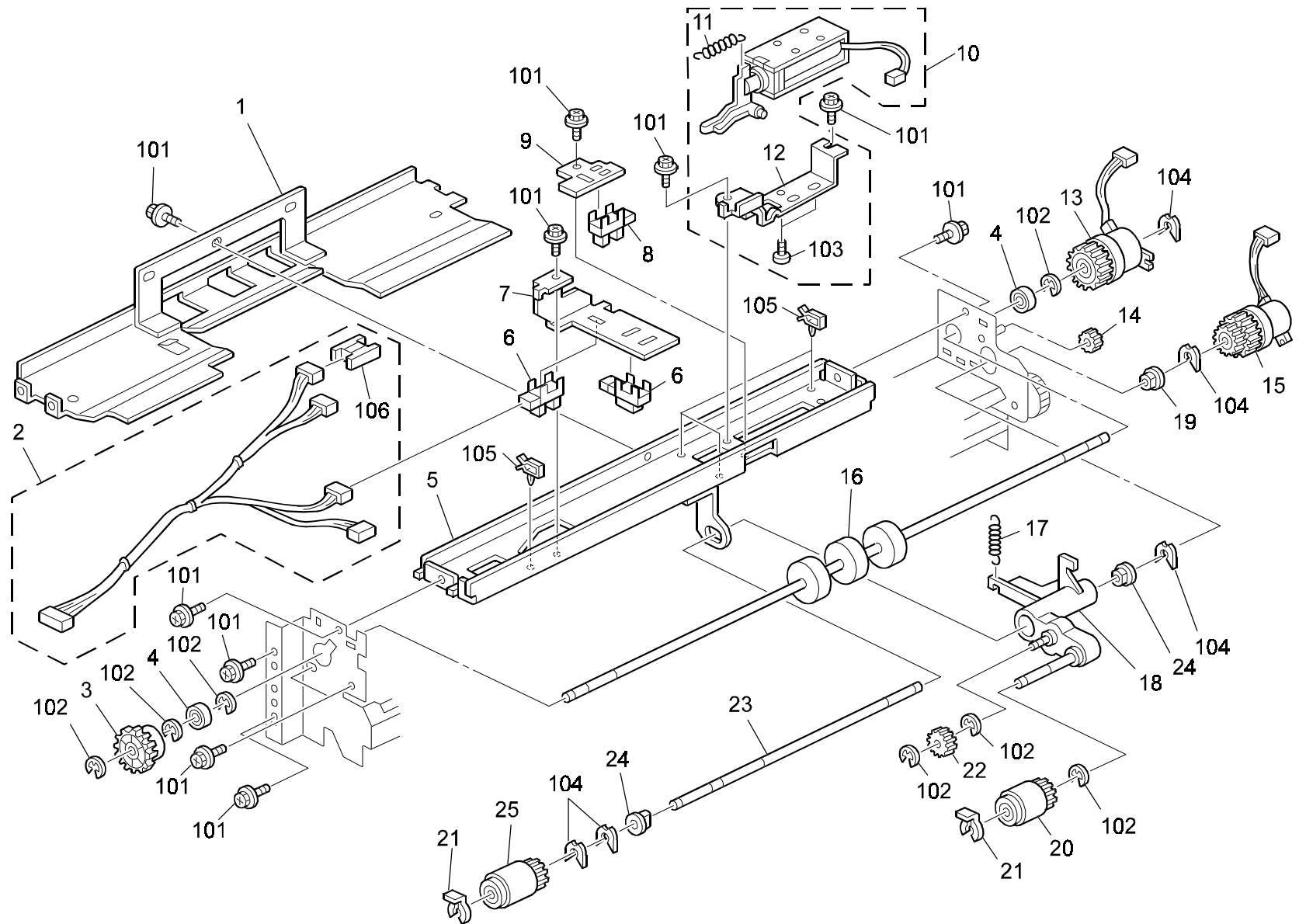


### 5.PAPER TRAY SECTION 4 (B303)

Index No.	Part No.	Description	Q'ty Per Assembly
1	B303 2732	Paper Tray Shaft Bracket	2
2	A667 2656	Friction Pad	1
3	B303 2735	Paper Tray Base Plate	1
4	B303 2737	Weight Plate	2
5	B303 2734	Paper Stopper	1
6	B303 2742	Bracket	1
7	A667 2660	Belt Stopper	2
8	B303 2761	Tightener Bracket	2
9	AB03 0548	Pulley - 16T	6
10	AA06 0817	Tighten Spring	2
11	B303 1303	Decal - Paper Size	1
12	A335 4351	Guide Roller	4
13	AA04 3909	Timing Belt - B100S5M780	2
14	AB01 4140	Gear - 24Z	1
15	AA08 2096	Bushing - 8x12x7	2
16	B303 2724	Bracket	2
17	B303 2745	Spring Plate	1
18	B303 2743	Bracket	1
19	B303 2744	Paper Actuator	1
20	B303 2751	Paper Lift Shaft - 2.5K	1
21	B303 2729	Cushion - 30x38	1
22	B303 2725	Fixing Plate	1
23	B303 2726	Fixing Plate	1
24	B303 2791	Oil Dumper	1
25	B303 2792	Oil Dumper Bracket	1

Index No.	Part No.	Description	Q'ty Per Assembly
101	0450 4014W	Tapping Screw - M4x14	
102	0451 4008B	Philips Tapping Screw - M4x8	
103	0451 3008B	Tapping Screw - M3x8	
104	0720 0060E	Retaining Ring - M6	
105	0633 0140G	Parallel Pin - 3x14	
106	0802 5282	Tapping Screw - M4x8	
107	0450 4010B	Tapping Screw - 4x10	
108	0802 5282	Tapping Screw - M4x8	

# 6.PAPER FEED UNIT 1 (B303)



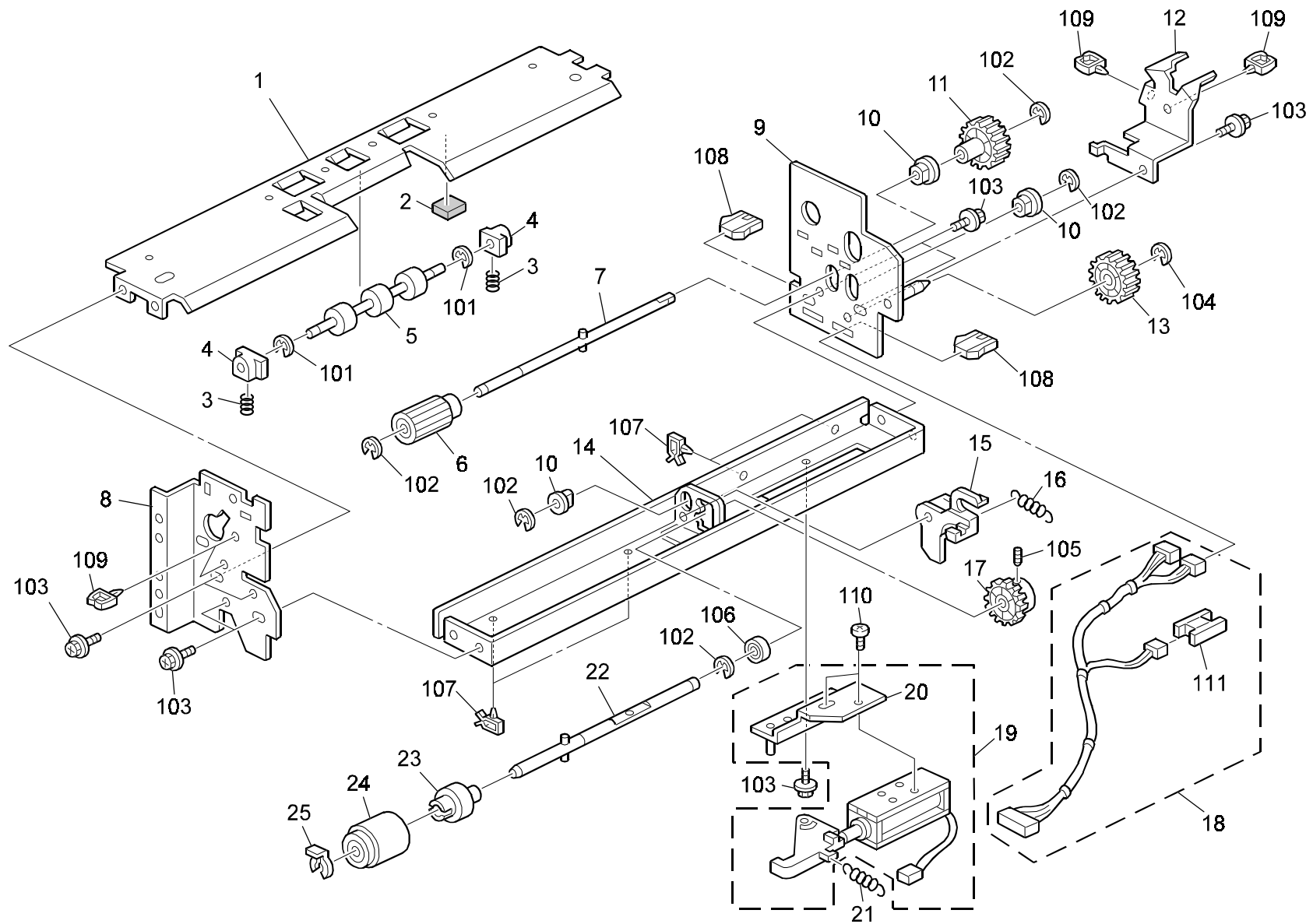


## 6.PAPER FEED UNIT 1 (B303)

Index No.	Part No.	Description	Qty Per Assembly
1	B303 2583	Feed Guide Plate	1
2	B303 5323	Feed Unit Harness	1
3	AB01 4152	Gear - 32Z	1
4	A232 3566	Ball Bearing - 8x16x5	2
5	B303 2571	Feed Stay	1
6	AW01 0049	Photo Reflection Sensor	2
7	B303 2576	Sensor Bracket	1
8	AW02 0056	Photointerruptor - EE-SX4235A-P1	1
9	B303 2577	Sensor Bracket	1
10	B303 2578	Pick-up DC Solenoid	1
11	AA06 0826	Release Spring	1
12	A134 2868	Solenoid Bracket	1
13	AX21 0073	Electro Magnetic Clutch	1
14	AB01 3000	Idler Gear - 18Z	1
15	AX20 0176	Magnetic Clutch	1
16	AF02 0485	Transport Drive Roller	1
17	AA06 0816	Pressure Spring	1
18	B303 2575	Pick-up Arm	1
19	AA08 3015	Roller Clutch	1
20	<b>AF03 0041</b>	<b>Pick-up Roller - Bypass Feed</b>	<b>1</b>
21	5447 2681	Snap Ring	2
22	5447 2706	Gear - 15T	1
23	AA14 0799	Feed Roller Shaft	1
24	AA08 2070	Bushing - 8x16x7	2
25	<b>AF03 1041</b>	<b>Feed Roller - Bypass Feed</b>	<b>1</b>

Index No.	Part No.	Description	Qty Per Assembly
101	0451 4008B	Philips Tapping Screw - M4x8	
102	0720 0060E	Retaining Ring - M6	
103	0353 0040B	Screw - M3X4	
104	0805 0088	Retaining Ring - M6	
105	1105 0267	Harness Clamp - YMC-10-0	
106	1102 6283	Connector - 2P	

# 7.PAPER FEED UNIT 2 (B303)

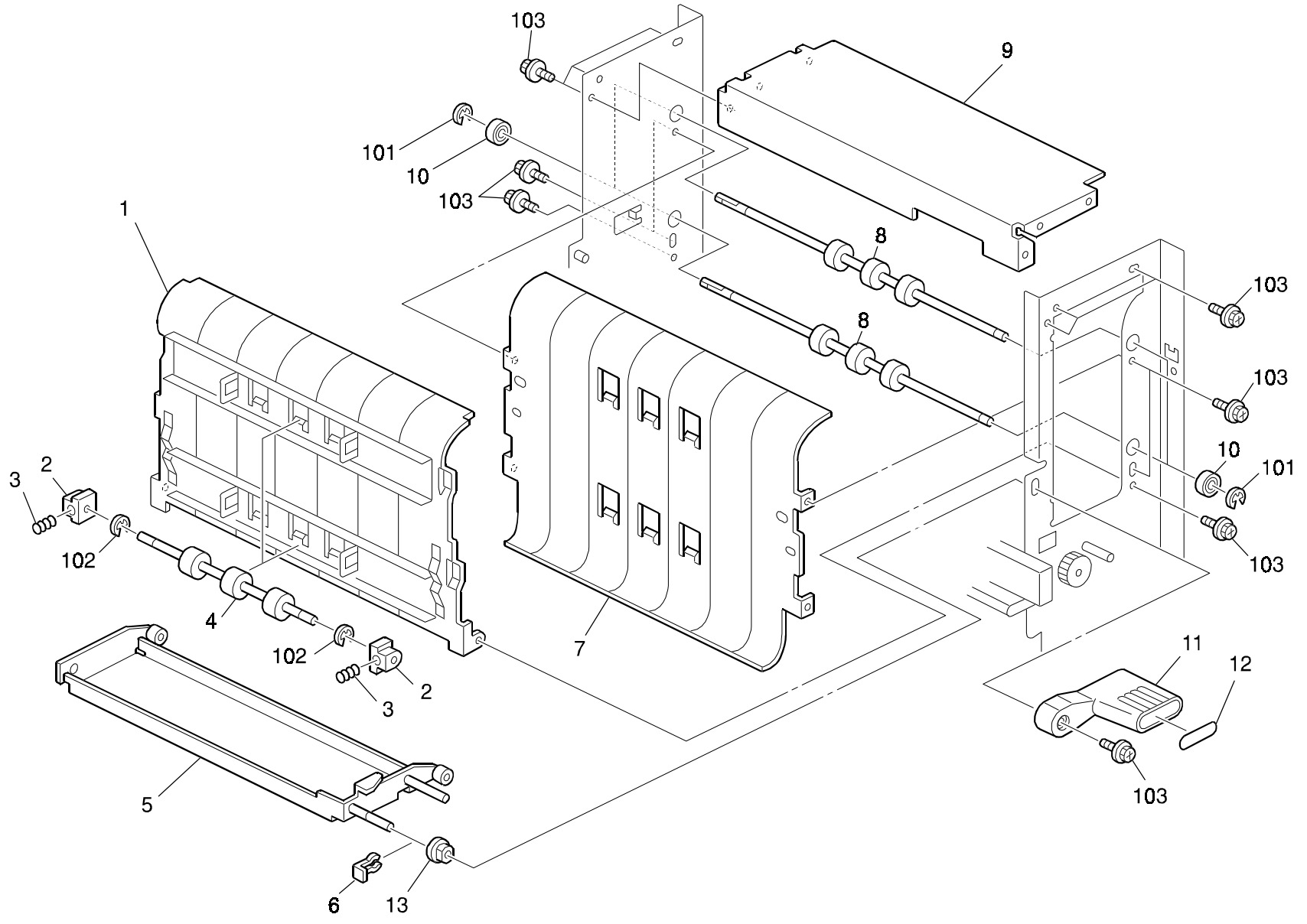


## 7.PAPER FEED UNIT 2 (B303)

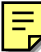



Index No.	Part No.	Description	Qty Per Assembly
1	B303 2585	Reverse Guide Plate	1
2	A229 2692	Damping Insulation	1
3	AA06 3852	Pressure Spring	2
4	AA08 0034	Bushing - 4x5x7	2
5	AF02 0489	Transport Relay Roller	1
6	AB01 1392	Drive Reverse Gear - 24Z	1
7	A229 6306	Reverse Drive Shaft	1
8	B303 2600	Front Side Plate	1
9	B303 2610	Rear Side Plate	1
10	AA08 2046	Bushing - 6x12x6	3
11	AB01 3776	Gear - 30Z	1
12	B303 2591	Feed Clutch Arm	1
13	AB01 3775	Gear - 33Z	1
14	B303 2552	Feed Stay	1
15	B303 2556	Reverse Pressure Lever	1
16	AA06 0834	Reverse Pressure Spring - 55gf	1
17	AB01 1391	Driven Reverse Gear - 21Z	1
18	A229 5496	Lower Harness	1
19	B303 2558	Reverse DC Solenoid	1
20	B303 2560	Reverse Solenoid Bracket	1
21	AA06 0575	Release Spring	1
22	A229 6307	Reverse Driven Shaft	1
23	A247 2900	Torque Limiter - 53mnm	1
24	<b>AF03 2041</b>	<b>Separation Roller - Bypass Feed</b>	<b>1</b>
25	5447 2681	Snap Ring	1

Index No.	Part No.	Description	Qty Per Assembly
101	0720 0030E	Retaining Ring - M3	
102	0720 0040E	Retaining Ring - M4	
103	0451 4008B	Philips Tapping Screw - M4x8	
104	0720 0060E	Retaining Ring - M6	
105	0573 0030E	Hexagon Headless Set Screw - M3x3	
106	0805 3145	Ball Bearing - 6x12x4mm	
107	1105 0267	Harness Clamp - YMC-10-0	
108	1102 6259	Connector - 2P	
109	1105 0199	Clamp	
110	0353 0040B	Screw - M3X4	
111	1102 6283	Connector - 2P	

# 8.TRANSPORT SECTION 1 (B303)

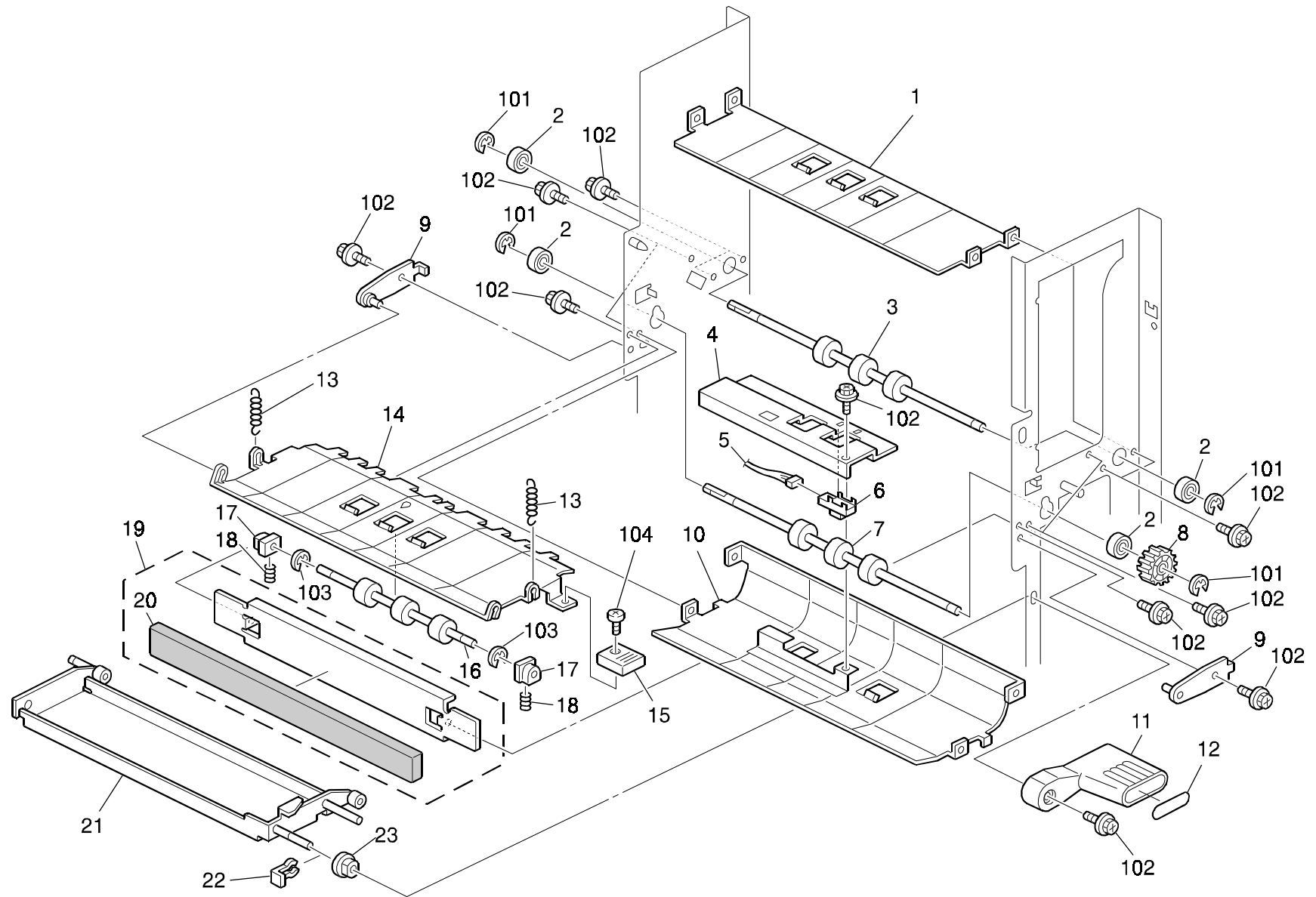


## 8.TRANSPORT SECTION 1 (B303)










Index No.	Part No.	Description	Qty Per Assembly
	1 B303 3615	Guide Plate	1
	2 AA08 0034	Bushing - 4x5x7	4
	3 AA06 3852	Pressure Spring	4
	4 AF02 0489	Transport Relay Roller	2
	5 B303 3650	Support Stay	1
	6 5215 2621	Snap Ring - M6	1
	7 B303 3610	Guide Plate	1
	8 AF02 0486	Transport Drive Roller	2
	9 B303 3830	Upper Support Stay	1
	10 A232 3566	Ball Bearing - 8x16x5	4
	11 B303 3682	Misfeed Removal Knob	1
	12 B303 1306	Decal - Instruction	1
	13 AA08 2070	Bushing - 8x16x7	1


Index No.	Part No.	Description	Qty Per Assembly
101	0720 0060E	Retaining Ring - M6	
102	0720 0030E	Retaining Ring - M3	
103	0451 4008B	Philips Tapping Screw - M4x8	

# 9. TRANSPORT SECTION 2 (B303)

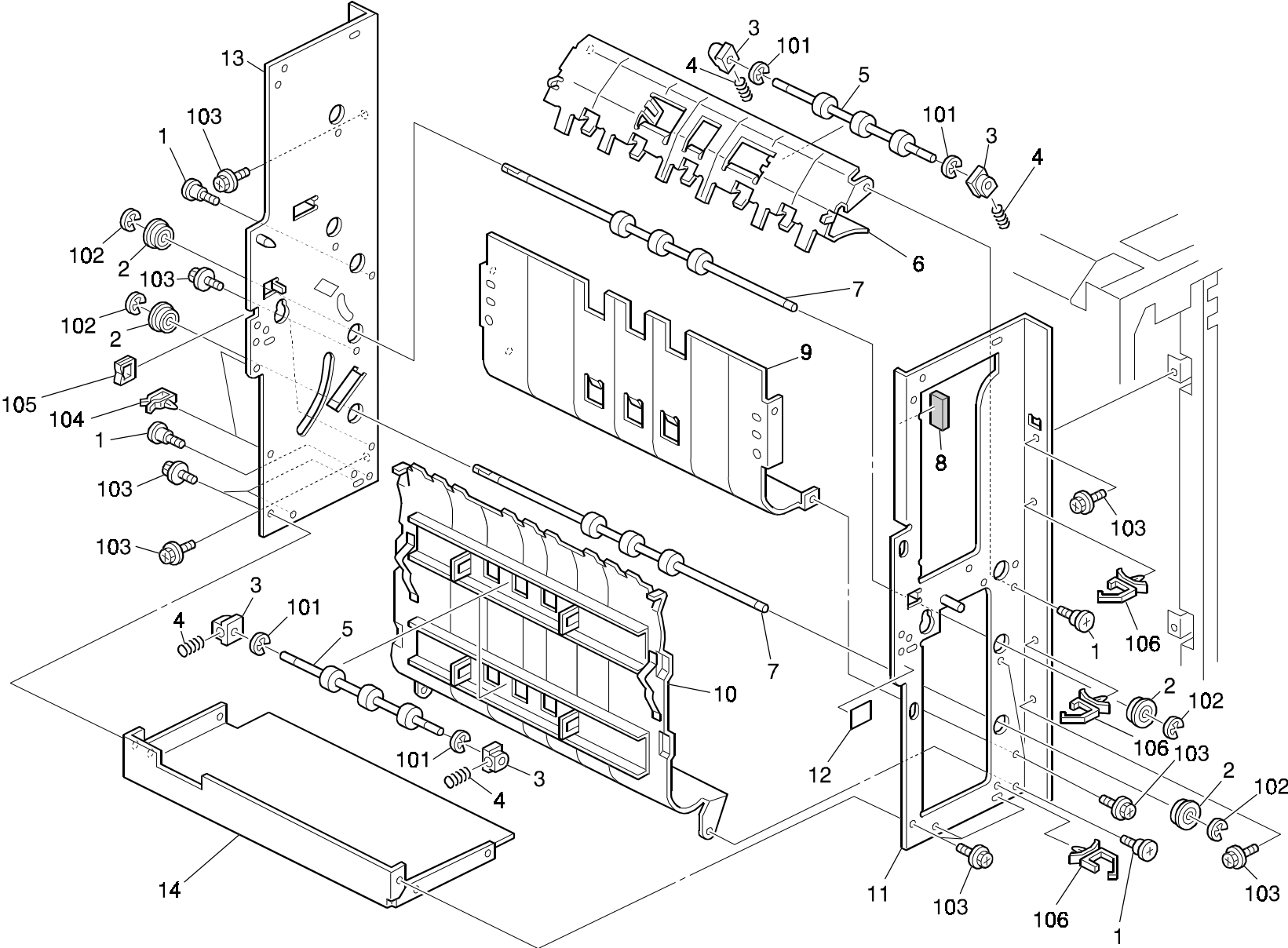


### 9.TRANSPORT SECTION 2 (B303)

Index No.	Part No.	Description	Qty Per Assembly
	1 B303 3640	Guide Plate	1
	2 A232 3566	Ball Bearing - 8x16x5	4
	3 AF02 0487	Transport Drive Roller	1
	4 B303 3676	Exit Sensor Cover	1
	5 B303 5315	Sensor Harness	1
	6 AW01 0049	Photo Reflection Sensor	1
	7 AF02 0488	Transport Drive Roller	1
	8 AB01 4152	Gear - 32Z	1
	9 B303 3670	Hinge Bracket	2
	10 B303 3630	Guide Plate	1
	11 B303 3682	Misfeed Removal Knob	1
	12 B303 1307	Decal - Instruction	1
	13 AA06 0820	Release Spring	3
	14 B303 3635	Guide Plate	1
	15 A353 2243	Lever Knob	1
	16 AF02 0489	Transport Relay Roller	1
	17 AA08 0034	Bushing - 4x5x7	2
	18 AA06 3852	Pressure Spring	2
	19 B303 3901	Air Block Plate	1
	20 B303 3903	Seal - 398x38x10	1
	21 B303 3660	Support Stay	1
	22 5215 2621	Snap Ring - M6	1
	23 AA08 2070	Bushing - 8x16x7	1
			

Index No.	Part No.	Description	Qty Per Assembly
101	0720 0060E	Retaining Ring - M6	
102	0451 4008B	Philips Tapping Screw - M4x8	
103	0720 0030E	Retaining Ring - M3	
104	0313 0040B	Philips Pan Head Screw - M3x4	
			

10. TRANSPORT SECTION 3 (B303)



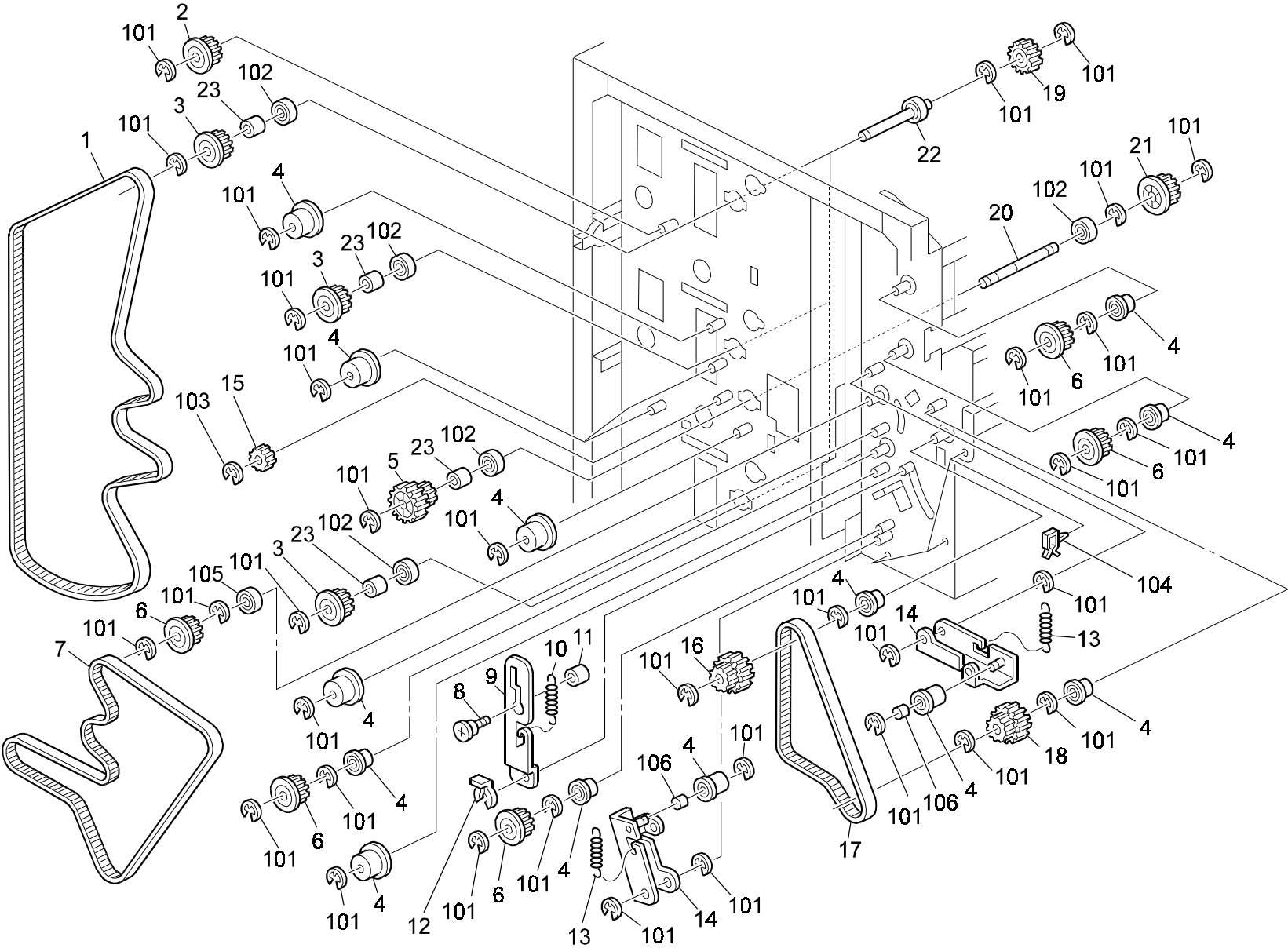


### 10.TRANSPORT SECTION 3 (B303)

Index No.	Part No.	Description	Qty Per Assembly
1	AA14 3037	Development Cover Screw	4
2	A232 3566	Ball Bearing - 8x16x5	4
3	AA08 0034	Bushing - 4x5x7	6
4	AA06 3852	Pressure Spring	6
5	AF02 0489	Transport Relay Roller	3
6	B303 3645	Guide Plate	1
7	AF02 0487	Transport Drive Roller	2
8	A680 4223	Cushion	1
9	B303 3620	Guide Plate	1
10	B303 3625	Guide Plate	1
11	B303 3810	Front Side Plate	1
12	B303 1320	Decal - U6	1
13	B303 3820	Rear Side Plate	1
14	B303 3830	Upper Support Stay	1

Index No.	Part No.	Description	Qty Per Assembly
101	0720 0030E	Retaining Ring - M3	
102	0720 0060E	Retaining Ring - M6	
103	0451 4008B	Philips Tapping Screw - M4x8	
104	1105 0267	Harness Clamp - YMC-10-0	
105	1105 0358	Edge Saddle - EDS-0607M	
106	1105 0310	Harness Clamp - LWS-1S	

# 11.DRIVE SECTION (B303)

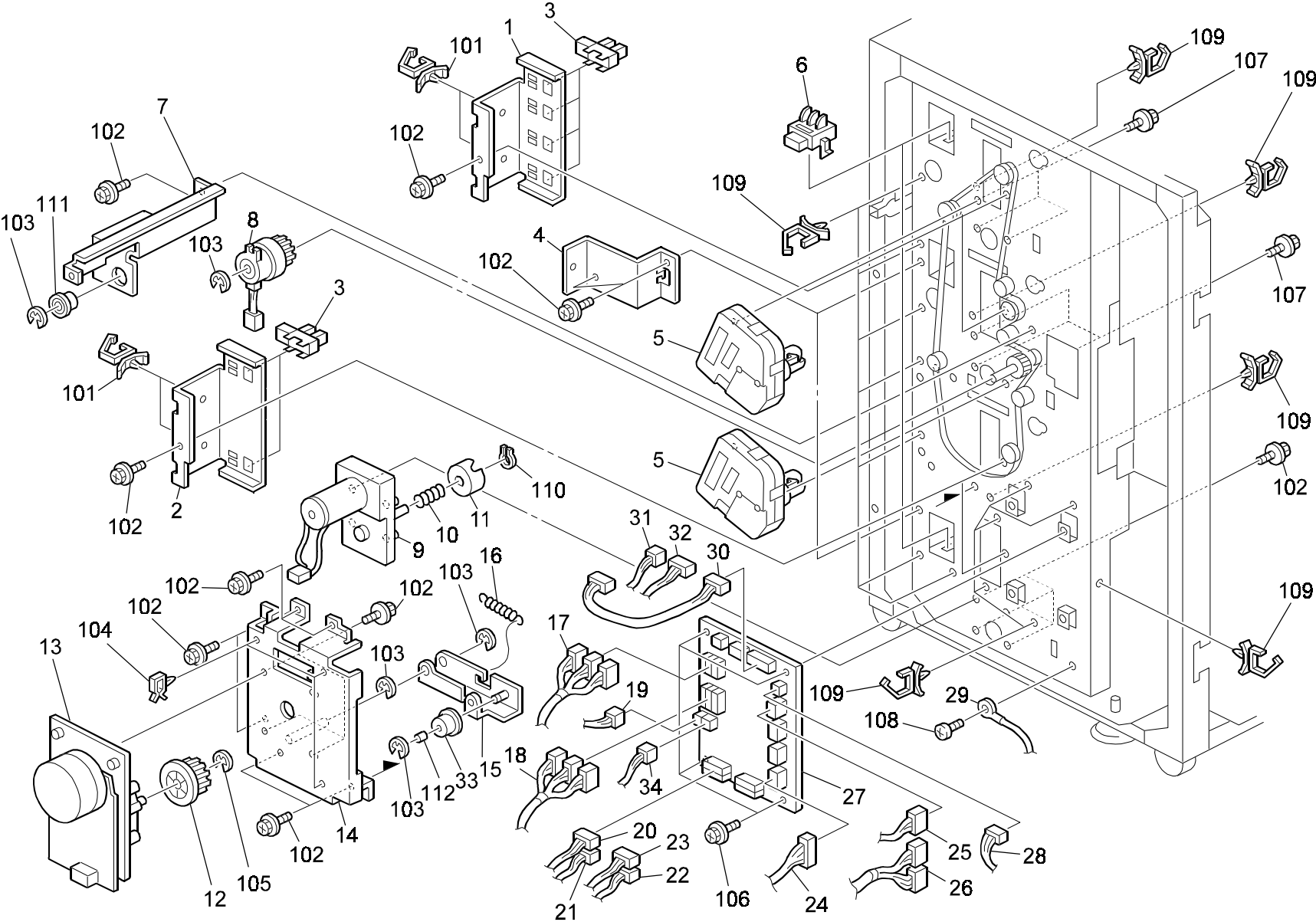


## 11.DRIVE SECTION (B303)

Index No.	Part No.	Description	Qty Per Assembly
1	AA04 3908	Timing Belt - S3M1299	1
2	AB03 0653	Pulley - 23T	1
3	AB03 0647	Timing Pulley - 22T	3
4	AB03 0665	Idler Pulley - 18Z	12
5	AB01 4143	Pulley - 30Z/22T	1
6	AB03 0649	Timing Pulley - 24T	5
7	AA04 3907	Timing Belt - S3M810	1
8	AA14 3444	Stepped Screw	1
9	B303 3681	Linkage Bracket	1
10	AA06 0817	Tighten Spring	1
11	B303 3684	Collar - 6.1x10x8	1
12	5447 2681	Snap Ring	1
13	AA06 0830	Tighten Spring	2
14	B303 1571	Tension Bracket	2
15	AB01 3000	Idler Gear - 18z	1
16	AB01 4141	Pulley - 36Z/24T	1
17	AA04 3911	Timing Belt - S3M420	1
18	AB01 4142	Pulley - 30Z/20T	1
19	AB01 3654	Gear - 30Z	1
20	AA14 0798	Drive Shaft	1
21	AB03 0648	Timing Pulley - 27T	1
22	B303 1565	Paper Feed Frive Shaft	3
23	B303 1562	Collar - 8x13x10	4

Index No.	Part No.	Description	Qty Per Assembly
101	0720 0060E	Retaining Ring - M6	
102	0740 3008	Ball Bearing - 8x22x7	
103	0720 0040E	Retaining Ring - M4	
104	1105 0267	Harness Clamp - YMC-10-0	
105	0741 3808	Ball Bearing - 8x16x5mm	
106	0707 8040B	Bushing - 8x4mm	

# 12.ELECTRICAL SECTION (B303)

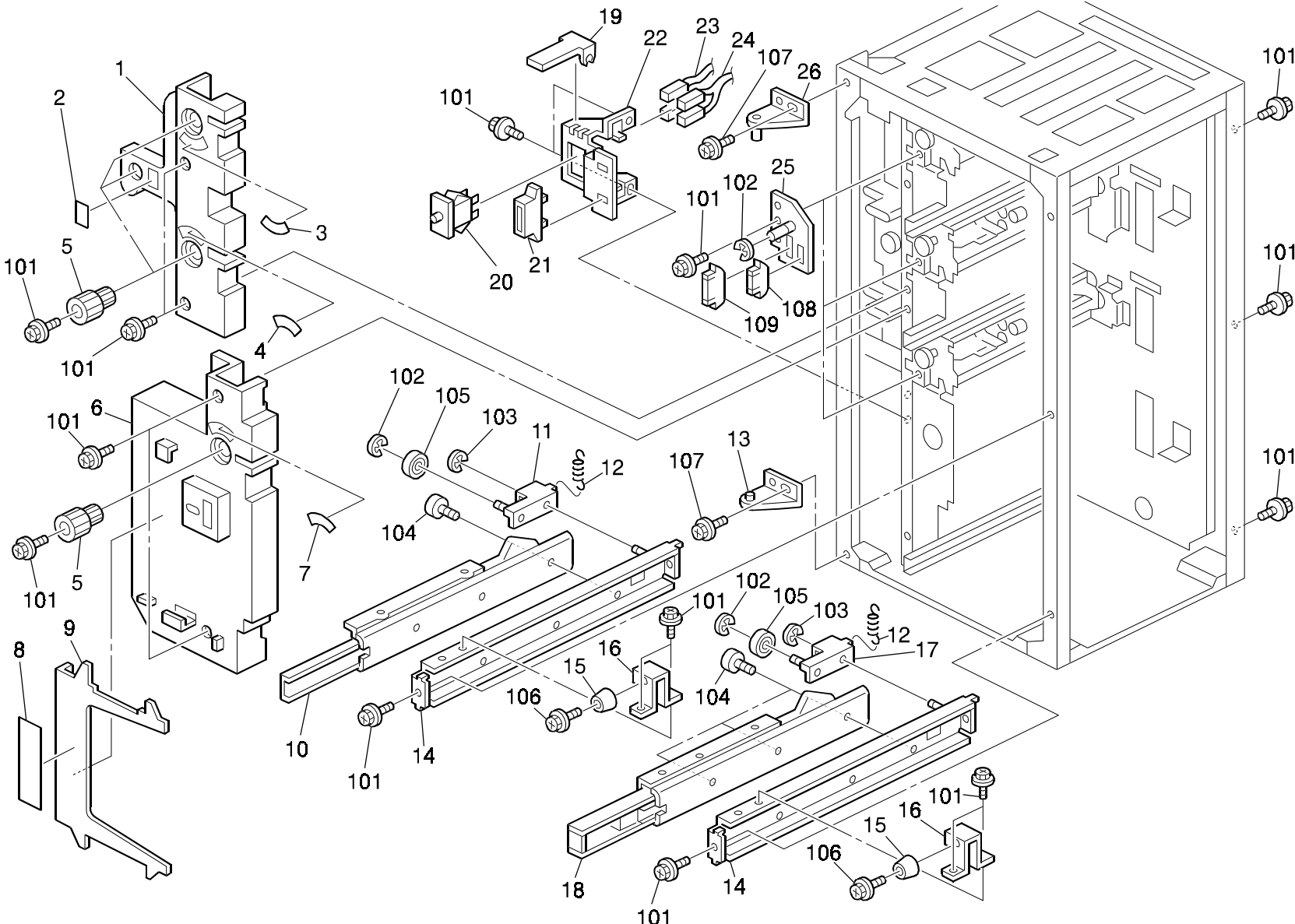


## 12.ELECTRICAL SECTION (B303)

Index No.	Part No.	Description	Qty Per Assembly
1	B303 1181	Sensor Bracket	1
2	B303 1182	Sensor Bracket	1
3	AW02 0056	Photointerruptor - EE-SX4235A-P1	6
4	B303 1086	Support Stay	2
5	A248 6167	DC Motor - 19.2W	2
6	H515 5054	Paper Size Sensor	2
7	B303 1563	Stopper Plate	1
8	AX21 0072	Electro Magnetic Clutch	1
9	AX04 0118	Lift Motor - DC 14W	1
10	AA06 3605	Pressure Spring	1
11	B303 1185	Metal Joint	1
12	AB03 0673	Pulley - 34Z	1
13	AX06 0190	Transport Motor - DC32W	1
14	B303 1555	Main Motor Bracket	1
15	B303 1571	Tension Bracket	1
16	AA06 0830	Tighten Spring	1
17	B303 5320	Relay Harness	1
18	B303 5322	Relay Harness	1
19	B303 5316	Door Switch Harness	1
20	B303 5311	Sensor Harness	1
21	B303 5312	Sensor Harness	1
22	B303 5313	Sensor Harness	1
23	B303 5319	Sensor Harness	1
24	B303 5302	Relay Harness	1
25	B303 5300	Relay Harness	1
26	B303 5301	Relay Harness	1
27	B303 5100	Interface Board	1
28	B303 5316	Door Switch Harness	1
29	A659 5390	Grounding Harness - Drawer	1
30	B303 5304	Motor Signal Harness	1
31	B303 5307	Clutch Harness	1
32	B303 5306	Lift Motor Harness	1
33	AB03 0665	Idler Pulley - 18Z	1
34	B303 5317	Interlock Harness	1

Index No.	Part No.	Description	Qty Per Assembly
101	1105 0291	Harness Clamp - LWS-3S	
102	0451 4008B	Philips Tapping Screw - M4x8	
103	0720 0060E	Retaining Ring - M6	
104	1105 0267	Harness Clamp - YMC-10-0	
105	0720 0080E	Retaining Ring - M8	
106	0451 3008B	Tapping Screw - M3x8	
107	0450 4010B	Tapping Screw - 4x10	
108	0801 0150	Philips Screw - M4x8	
109	1105 0310	Harness Clamp - LWS-1S	
110	0727 0080E	Retaining Ring - M8	
111	0741 3808	Ball Bearing - 8x16x5mm	
112	0707 8040B	Bushing - 8x4mm	

# 13.FRAME SECTION 1 (B303)

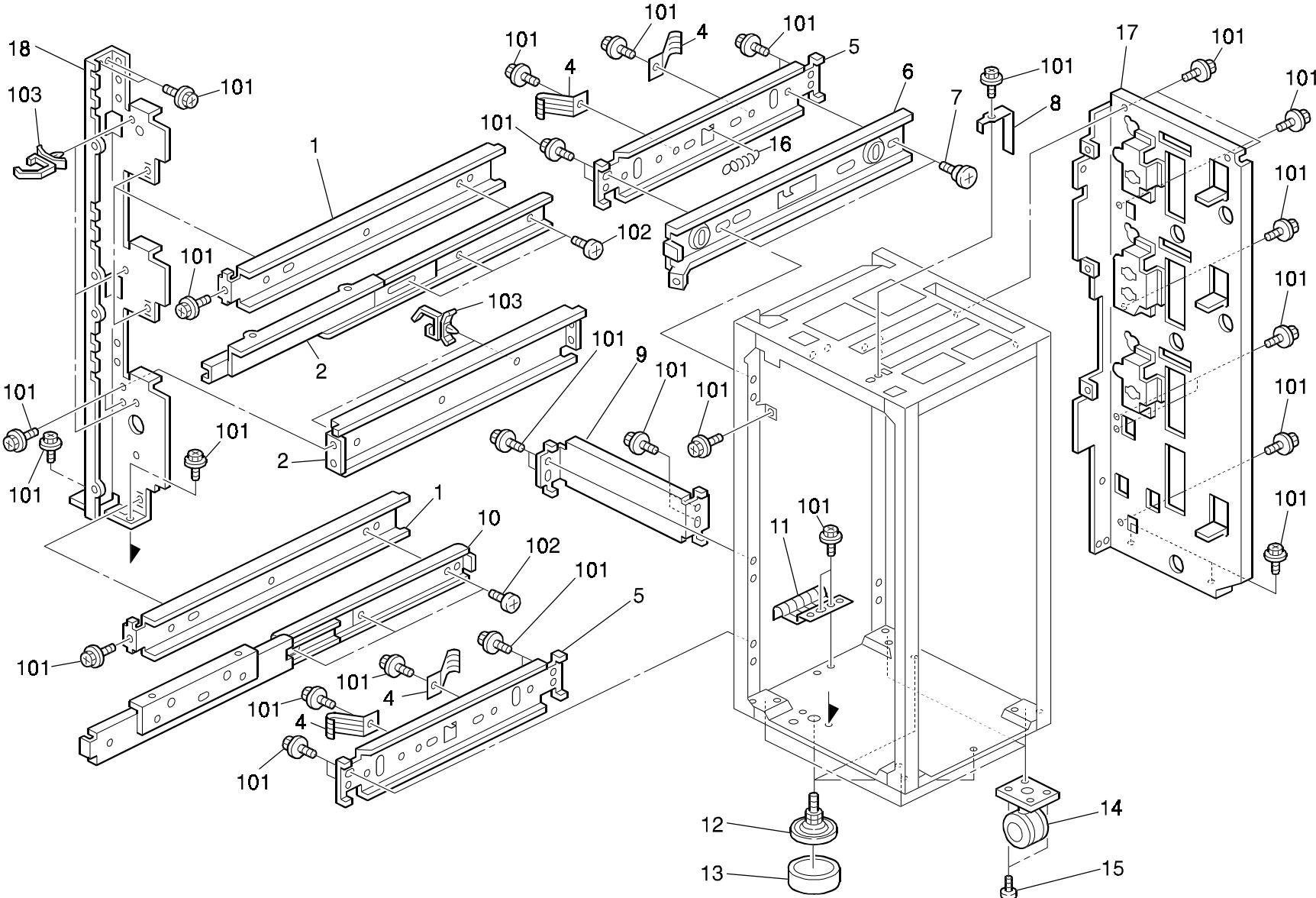


### 13.FRAME SECTION 1 (B303)

Index No.	Part No.	Description	Q'ty Per Assembly
1	B303 1390	Upper Inner Cover	1
2	B303 1321	Decal - U7	1
3	B303 1316	Decal - U2	1
4	B303 1318	Decal - U4	1
5	AG05 0067	Knob - Transport Roller	2
6	B303 1391	Lower Inner Cover	1
7	B303 1319	Decal - U5	1
8	B303 1322	Tab Paper End Fence Decal	1
9	B303 2785	Tab Paper End Fence	1
10	B303 1125	Right Slide Rail	1
11	B303 1132	Arm Lock Bracket	1
12	AA06 0814	Lock Spring	2
13	B303 1355	Lower Hinge	1
14	B303 1137	Support Stay	2
15	5446 2560	Cushion - Paper Tray	2
16	B303 1136	Rail Bracket	2
17	B303 1134	Arm Lock Bracket	1
18	B303 1155	Right Slide Rail	1
19	B303 1172	Door Switch Actuator	1
20	H510 5001	Push Switch	1
21	AG07 1010	Magnet Catch	1
22	B303 1171	Interlock Switch Bracket	1
23	B303 5316	Door Switch Harness	1
24	B303 5317	Interlock Harness	1
25	B303 2631	Fixing Plate	1
26	B303 1351	Upper Hinge	1







Index No.	Part No.	Description	Q'ty Per Assembly
101	0451 4008B	Philips Tapping Screw - M4x8	
102	0720 0060E	Retaining Ring - M6	
103	0720 0040E	Retaining Ring - M4	
104	0453 4008B	Tapping Bind Screw - M4x8	
105	0805 3270	Ball Bearing - 8x16x5mm	
106	0451 4010B	Tapping Screw - 4x10	
107	0450 4008B	Tapping Screw - 4x8	
108	1102 6254	Connector - 11P	
109	1102 6249	Relay Connector - 6P	

14.FRAME SECTION 2 (B303)





## 14.FRAME SECTION 2 (B303)

Index No.	Part No.	Description	Qty Per Assembly
	1 B303 1147	Support Stay	3
	2 B303 1145	Left Slide Rail	2
	3 B303 1075	Support Stay	1
	4 B303 1113	Grounding Plate	4
	5 B303 1112	Support Stay	2
	6 B303 1114	Support Stay	1
	7 AA14 3403	Stepped Screw - 8x14x2.8	1
	8 B303 2895	Guide Fence Stopper	1
	9 B303 1085	Support Stay	1
	10 B303 1165	Left Slide Rail	1
	11 B303 1183	Grounding Plate	1
	12 5424 1064	Screw Stand	3
	13 AH01 3002	Leveling Shoe	3
	14 AH01 2014	Caster - 60kgf	2
	15 A507 1096	Philips Screw - M5x6	8
	16 AA06 0813	Lock Spring	1
	17 B303 1080	Rear Side Plate	1
	18 B303 1070	Front Side Plate	1

Index No.	Part No.	Description	Qty Per Assembly
101	0451 4008B	Philips Tapping Screw - M4x8	
102	0453 4008B	Tapping Bind Screw - M4x8	
103	1105 0291	Harness Clamp - LWS-3S	

# 15.DECAL AND DOCUMENT (B303)

**1**

**2**

A4 B5 A5 A5 8½X5½ 8½X11 5½X8½ >PS<

**3**

A4 11 B5 8½ A5 5½ >PS<

**4**

>PS< U<sub>1</sub> ↓

**5**

>PS< U<sub>3</sub> ↓

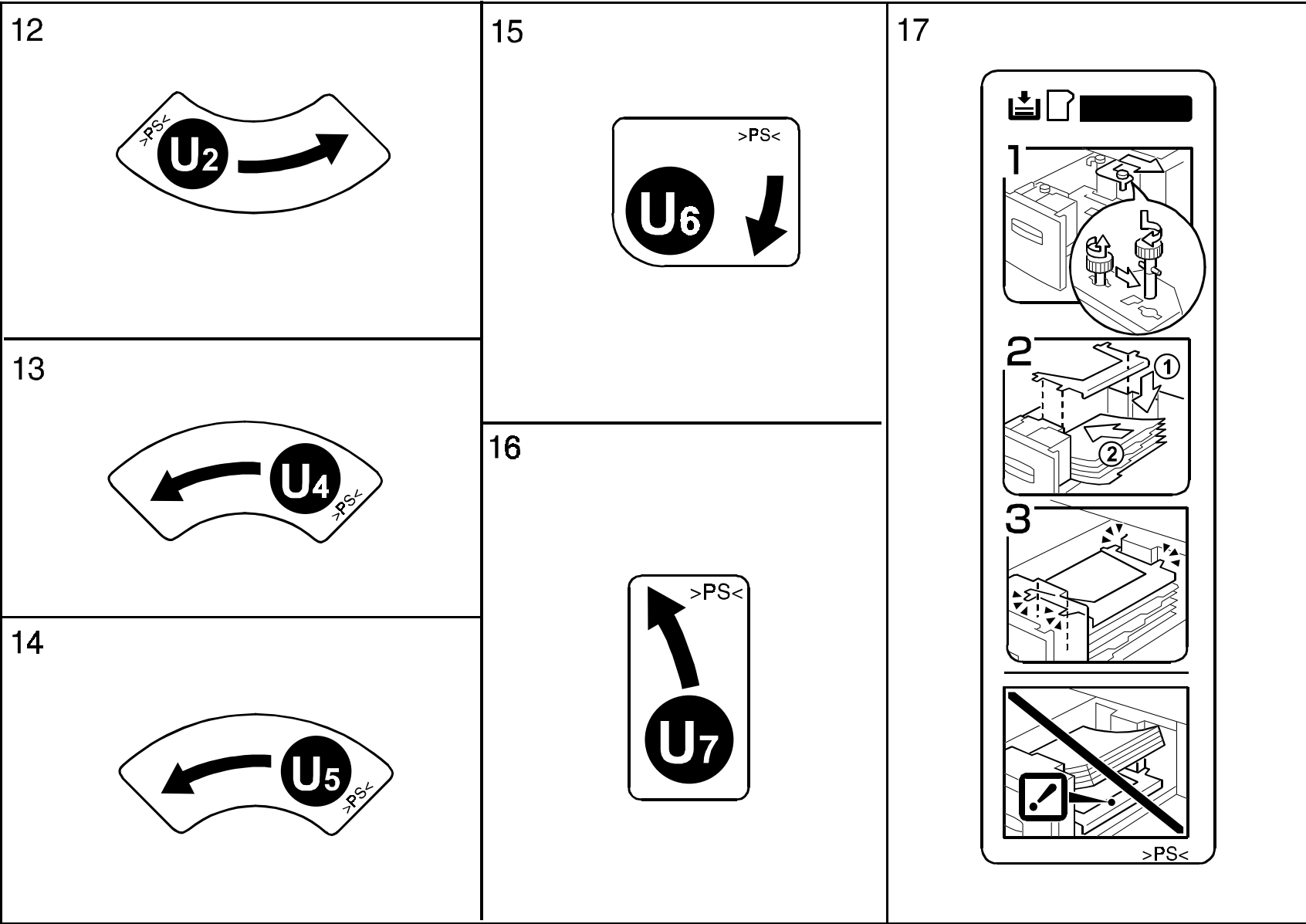
**6**

4		B5	8½×5½	5½×8½
		11×8½	8½×5½	5½×8½
	A4	A4	8½×5½	5½×8½
A5	A5	A5	8½×5½	5½×8½
A5	A5	A5	11×8½	11×8½
A5	A5	A5	11×8½	11×8½
B5	A4	A4	11×8½	11×8½
B5	A4	A4	*	*
B5	A4	A4		
A4	A4	A4		


# 15.DECAL AND DOCUMENT (B303)

<p>7</p> <p>&gt;PS&lt;</p>	<p>8</p> <p>&gt;PS&lt;</p>
	<p>9</p>
	<p>10</p>
	<p>11</p>

15.DECAL AND DOCUMENT (B303)



### 15.DECAL AND DOCUMENT (B303)

Index No.	Part No.	Description	Qty Per Assembly
1	B303 1302	Decal - Paper Set	1
2	B303 1303	Decal - Paper Size	1
3	B303 1304	Decal - Paper Position	1
4	B303 1306	Decal - Instruction	1
5	B303 1307	Decal - Instruction	1
6	B303 1308	Decal - Paper Size	1
7	B303 1309	Decal - Misfeed Removal	1
8	B303 1311	Decal - Paper Set	1
9	B303 1312	Decal - Tray	1
10	B303 1313	Decal - Tray	1
11	B303 1314	Decal - Tray	1
12	B303 1316	Decal - U2	1
13	B303 1318	Decal - U4	1
14	B303 1319	Decal - U5	1
15	B303 1320	Decal - U6	1
16	B303 1321	Decal - U7	1
17	B303 1322	Tab Paper End Fence Decal	1
			

Index No.	Part No.	Description	Qty Per Assembly

# **PARTS INDEX**

## PM Parts Index

Section Name	Part No.	Description in Service Manual	Description in Parts Catalog	Q'ty Per Assembly	Page and Index No
PAPER FEED UNIT 1 (B303)	AF03 1041	Feed Roller	Feed Roller - Bypass Feed	3	17- 25
	AF03 0041	Pick-up Roller	Pick-up Roller - Bypass Feed	3	17- 20
PAPER FEED UNIT 2 (B303)	AF03 2041	Separation Roller	Separation Roller - Bypass Feed	3	19- 24

## Parts Index

Part No.	Description	Page and Index No.
B303 1070	Front Side Plate	33- 18
B303 1075	Support Stay	33- 3
B303 1080	Rear Side Plate	33- 17
B303 1085	Support Stay	33- 9
B303 1086	Support Stay	29- 4
B303 1100	Pin - 14x33	7- 17
B303 1101	Pin - 12x35	7- 11
B303 1112	Support Stay	33- 5
B303 1113	Grounding Plate	33- 4
B303 1114	Support Stay	33- 6
B303 1125	Right Slide Rail	31- 10
B303 1132	Arm Lock Bracket	31- 11
B303 1134	Arm Lock Bracket	31- 17
B303 1136	Rail Bracket	31- 16
B303 1137	Support Stay	31- 14
B303 1145	Left Slide Rail	33- 2
B303 1147	Support Stay	33- 1
B303 1155	Right Slide Rail	31- 18
B303 1165	Left Slide Rail	33- 10
B303 1171	Interlock Switch Bracket	31- 22
B303 1172	Door Switch Actuator	31- 19
B303 1181	Sensor Bracket	29- 1
B303 1182	Sensor Bracket	29- 2
B303 1183	Grounding Plate	33- 11
B303 1185	Metal Joint	29- 11
B303 1302	Decal - Paper Set	9- 19
B303 1302	Decal - Paper Set	35- 1
B303 1303	Decal - Paper Size	11- 11
B303 1303	Decal - Paper Size	15- 11
B303 1303	Decal - Paper Size	35- 2
B303 1304	Decal - Paper Position	35- 3
B303 1304	Decal - Paper Position	9- 1
B303 1304	Decal - Paper Position	13- 1
B303 1305	Decal - Paper Position	13- 5
B303 1305	Decal - Paper Position	9- 7

Part No.	Description	Page and Index No.
B303 1306	Decal - Instruction	35- 4
B303 1306	Decal - Instruction	21- 12
B303 1307	Decal - Instruction	35- 5
B303 1307	Decal - Instruction	23- 12
B303 1308	Decal - Paper Size	35- 6
B303 1309	Decal - Misfeed Removal	35- 7
B303 1309	Decal - Misfeed Removal	7- 13
B303 1311	Decal - Paper Set	13- 8
B303 1311	Decal - Paper Set	35- 8
B303 1312	Decal - Tray	35- 9
B303 1312	4th Tray Decal	9- 23
B303 1313	Decal - Tray	35- 10
B303 1313	5th Tray Decal	9- 23
B303 1314	Decal - Tray	35- 11
B303 1314	Decal - Tray	13- 11
B303 1316	Decal - U2	35- 12
B303 1316	Decal - U2	31- 3
B303 1318	Decal - U4	31- 4
B303 1318	Decal - U4	35- 13
B303 1319	Decal - U5	31- 7
B303 1319	Decal - U5	35- 14
B303 1320	Decal - U6	25- 12
B303 1320	Decal - U6	35- 15
B303 1321	Decal - U7	35- 16
B303 1321	Decal - U7	31- 2
B303 1322	Tab Paper End Fence Decal	35- 17
B303 1322	Tab Paper End Fence Decal	31- 8
B303 1351	Upper Hinge	31- 26
B303 1355	Lower Hinge	31- 13
B303 1360	Left Cover	7- 12
B303 1361	Magnet Catch	7- 14
B303 1370	Upper Cover	7- 6
B303 1371	Cushion - 10x595	7- 1
B303 1372	Cushion - 15x700	7- 5
B303 1373	Cushion - 15x372	7- 4



Part No.	Description	Page and Index No.
B303 1374	Cushion - 15x50	7- 2
B303 1375	Rear Cover	7- 7
B303 1376	Cushion - 15x30	7- 3
B303 1380	Small Tray Cover	9- 22
B303 1381	Large Tray Cover	13- 10
B303 1385	Right Cover	7- 8
B303 1386	Key Counter Cover	7- 10
B303 1390	Upper Inner Cover	31- 1
B303 1391	Lower Inner Cover	31- 6
B303 1555	Main Motor Bracket	29- 14
B303 1562	Collar - 8x13x10	27- 23
B303 1563	Stopper Plate	29- 7
B303 1565	Paper Feed Frive Shaft	27- 22
B303 1571	Tension Bracket	29- 15
B303 1571	Tension Bracket	27- 14
B303 2552	Feed Stay	19- 14
B303 2556	Reverse Pressure Lever	19- 15
B303 2558	Reverse DC Solenoid	19- 19
B303 2560	Reverse Solenoid Bracket	19- 20
B303 2571	Feed Stay	17- 5
B303 2575	Pick-up Arm	17- 18
B303 2576	Sensor Bracket	17- 7
B303 2577	Sensor Bracket	17- 9
B303 2578	Pick-up DC Solenoid	17- 10
B303 2583	Feed Guide Plate	17- 1
B303 2585	Reverse Guide Plate	19- 1
B303 2591	Feed Clutch Arm	19- 12
B303 2600	Front Side Plate	19- 8
B303 2610	Rear Side Plate	19- 9
B303 2631	Fixing Plate	31- 25
B303 2700	Lower Paper Tray - A4	13- *
B303 2701	Lower Paper Tray - LT	13- *
B303 2721	Front Guide Plate	13- 4
B303 2722	Upper Cover	13- 9
B303 2723	Grounding Plate	13- 18

Part No.	Description	Page and Index No
B303 2723	Grounding Plate	11- 12
B303 2724	Bracket	15- 16
B303 2725	Fixing Plate	11- 19
B303 2725	Fixing Plate	15- 22
B303 2726	Fixing Plate	15- 23
B303 2726	Fixing Plate	11- 18
B303 2727	Sensor Bracket	13- 12
B303 2729	Cushion - 30x38	7- 9
B303 2729	Cushion - 30x38	15- 21
B303 2729	Cushion - 30x38	11- 17
B303 2732	Paper Tray Shaft Bracket	15- 1
B303 2732	Paper Tray Shaft Bracket	11- 3
B303 2734	Paper Stopper	15- 5
B303 2735	Paper Tray Base Plate	15- 3
B303 2735	Paper Tray Base Plate	11- 2
B303 2737	Weight Plate	11- 4
B303 2737	Weight Plate	15- 4
B303 2742	Bracket	15- 6
B303 2742	Bracket	11- 5
B303 2743	Bracket	15- 18
B303 2743	Bracket	11- 14
B303 2744	Paper Actuator	15- 19
B303 2744	Paper Actuator	11- 15
B303 2745	Spring Plate	15- 17
B303 2745	Spring Plate	11- 13
B303 2751	Paper Lift Shaft - 2.5K	15- 20
B303 2761	Tightener Bracket	15- 8
B303 2771	Front Side Fence	13- 3
B303 2775	Rear Side Fence	13- 6
B303 2777	Paper Guide Mylar	9- 4
B303 2777	Paper Guide Mylar	13- 2
B303 2781	Paper Guide Fence	13- 16
B303 2781	Paper Guide Fence	9- 15
B303 2782	Knob Screw	13- 14
B303 2782	Knob Screw	9- 16

Part No.	Description	Page and Index No.
B303 2783	Guide Fence Bracket	13- 17
B303 2783	Guide Fence Bracket	9- 18
B303 2784	Rubber Tube - 2x4x32	9- 17
B303 2784	Rubber Tube - 2x4x32	13- 15
B303 2785	Tab Paper End Fence	31- 9
B303 2791	Oil Dumper	15- 24
B303 2792	Oil Dumper Bracket	15- 25
B303 2800	Upper & Middle Paper Tray - A4	9- *
B303 2801	Upper & Middle Paper Tray - LT	9- *
B303 2821	Front Guide Plate	9- 5
B303 2822	Upper Cover	9- 20
B303 2851	Paper Lift Shaft - 1K	11- 16
B303 2872	Front Side Fence	9- 2
B303 2875	Rear Side Fence	9- 6
B303 2877	Knob Screw	9- 3
B303 2877	Knob Screw	13- 19
B303 2886	Sensor Bracket	9- 12
B303 2887	Paper Size Actuator	9- 10
B303 2888	Paper Size Lever	9- 9
B303 2889	Spring Plate	9- 11
B303 2895	4th Guide Fence Stopper	9- 21
B303 2895	Guide Fence Stopper	33- 8
B303 2896	5th Guide Fence Stopper	9- 21
B303 3610	Guide Plate	21- 7
B303 3615	Guide Plate	21- 1
B303 3620	Guide Plate	25- 9
B303 3625	Guide Plate	25- 10
B303 3630	Guide Plate	23- 10
B303 3635	Guide Plate	23- 14
B303 3640	Guide Plate	23- 1
B303 3645	Guide Plate	25- 6
B303 3650	Support Stay	21- 5
B303 3660	Support Stay	23- 21
B303 3670	Hinge Bracket	23- 9
B303 3676	Exit Sensor Cover	23- 4

Part No.	Description	Page and Index No
B303 3681	Linkage Bracket	27- 9
B303 3682	Misfeed Removal Knob	21- 11
B303 3682	Misfeed Removal Knob	23- 11
B303 3684	Collar - 6.1x10x8	27- 11
B303 3810	Front Side Plate	25- 11
B303 3820	Rear Side Plate	25- 13
B303 3830	Upper Support Stay	21- 9
B303 3830	Upper Support Stay	25- 14
B303 3901	Air Block Plate	23- 19
B303 3903	Seal - 398x38x10	23- 20
B303 5100	Interface Board	17- *
B303 5100	Interface Board	29- 27
B303 5300	Relay Harness	29- 25
B303 5301	Relay Harness	29- 26
B303 5302	Relay Harness	29- 24
B303 5304	Motor Signal Harness	29- 30
B303 5306	Lift Motor Harness	29- 32
B303 5307	Clutch Harness	29- 31
B303 5311	Sensor Harness	29- 20
B303 5312	Sensor Harness	29- 21
B303 5313	Sensor Harness	29- 22
B303 5315	Sensor Harness	23- 5
B303 5316	Door Switch Harness	29- 19
B303 5316	Door Switch Harness	31- 23
B303 5316	Door Switch Harness	29- 28
B303 5317	Interlock Harness	31- 24
B303 5317	Interlock Harness	29- 34
B303 5319	Sensor Harness	29- 23
B303 5320	Relay Harness	29- 17
B303 5322	Relay Harness	29- 18
B303 5323	Feed Unit Harness	17- 2

Part No.	Description	Page and Index No.
AA04 3907	Timing Belt - S3M810	27- 7
AA04 3908	Timing Belt - S3M1299	27- 1
AA04 3909	Timing Belt - B100S5M780	15- 13
AA04 3910	Timing Belt - B100S5M435	11- 7
AA04 3911	Timing Belt - S3M420	27- 17
AA06 0575	Release Spring	19- 21
AA06 0813	Lock Spring	33- 16
AA06 0814	Lock Spring	31- 12
AA06 0816	Pressure Spring	17- 17
AA06 0817	Tighten Spring	27- 10
AA06 0817	Tighten Spring	15- 10
AA06 0820	Release Spring	23- 13
AA06 0826	Release Spring	17- 11
AA06 0830	Tighten Spring	29- 16
AA06 0830	Tighten Spring	27- 13
AA06 0834	Reverse Pressure Spring - 55gf	19- 16
AA06 3605	Pressure Spring	29- 10
AA06 3852	Pressure Spring	25- 4
AA06 3852	Pressure Spring	19- 3
AA06 3852	Pressure Spring	21- 3
AA06 3852	Pressure Spring	23- 18
AA08 0034	Bushing - 4x5x7	21- 2
AA08 0034	Bushing - 4x5x7	23- 17
AA08 0034	Bushing - 4x5x7	19- 4
AA08 0034	Bushing - 4x5x7	25- 3
AA08 2046	Bushing - 6x12x6	19- 10
AA08 2070	Bushing - 8x16x7	17- 24
AA08 2070	Bushing - 8x16x7	21- 13
AA08 2070	Bushing - 8x16x7	23- 23
AA08 2096	Bushing - 8x12x7	11- 10
AA08 2096	Bushing - 8x12x7	15- 15
AA08 3015	Roller Clutch	17- 19
AA14 0798	Drive Shaft	27- 20
AA14 0799	Feed Roller Shaft	17- 23
AA14 3037	Development Cover Screw	25- 1

Part No.	Description	Page and Index No.
AA14 3074	Stepped Screw - M4x5	13- 13
AA14 3074	Stepped Screw - M4x5	9- 14
AA14 3403	Stepped Screw - 8x14x2.8	33- 7
AA14 3444	Stepped Screw	27- 8
AB01 1391	Driven Reverse Gear - 21Z	19- 17
AB01 1392	Drive Reverse Gear - 24Z	19- 6
AB01 3000	Idler Gear - 18z	27- 15
AB01 3000	Idler Gear - 18Z	17- 14
AB01 3654	Gear - 30Z	27- 19
AB01 3775	Gear - 33Z	19- 13
AB01 3776	Gear - 30Z	19- 11
AB01 4140	Gear - 24Z	15- 14
AB01 4141	Pulley - 36Z/24T	27- 16
AB01 4142	Pulley - 30Z/20T	27- 18
AB01 4143	Pulley - 30Z/22T	27- 5
AB01 4152	Gear - 32Z	17- 3
AB01 4152	Gear - 32Z	23- 8
AB03 0548	Pilley - 16T	11- 8
AB03 0548	Pulley - 16T	15- 9
AB03 0647	Timing Pulley - 22T	27- 3
AB03 0648	Timing Pulley - 27T	27- 21
AB03 0649	Timing Pulley - 24T	27- 6
AB03 0653	Pulley - 23T	27- 2
AB03 0665	Idler Pulley - 18Z	29- 33
AB03 0665	Idler Pulley - 18Z	27- 4
AB03 0673	Pulley - 34Z	29- 12
AF02 0485	Transport Drive Roller	17- 16
AF02 0486	Transport Drive Roller	21- 8
AF02 0487	Transport Drive Roller	25- 7
AF02 0487	Transport Drive Roller	23- 3
AF02 0488	Transport Drive Roller	23- 7
AF02 0489	Transport Relay Roller	23- 16
AF02 0489	Transport Relay Roller	21- 4
AF02 0489	Transport Relay Roller	25- 5
AF02 0489	Transport Relay Roller	19- 5

Part No.	Description	Page and Index No.
AF03 0041	Pick-up Roller - Bypass Feed	17- 20
AF03 1041	Feed Roller - Bypass Feed	17- 25
AF03 2041	Separation Roller - Bypass Feed	19- 24
AG05 0067	Knob - Transport Roller	31- 5
AG07 1010	Magnet Catch	31- 21
AH01 2014	Caster - 60kgf	33- 14
AH01 3002	Leveling Shoe	33- 13
AW01 0049	Photo Reflection Sensor	23- 6
AW01 0049	Photo Reflection Sensor	17- 6
AW02 0056	Photointerruptor - EE-SX4235A-P1	29- 3
AW02 0056	Photointerruptor - EE-SX4235A-P1	17- 8
AX04 0118	Lift Motor - DC 14W	29- 9
AX06 0190	Transport Motor - DC32W	29- 13
AX20 0176	Magnetic Clutch	17- 15
AX21 0072	Electro Magnetic Clutch	29- 8
AX21 0073	Electro Magnetic Clutch	17- 13
H510 5001	Push Switch	31- 20
H515 5054	Paper Size Sensor	29- 6

Part No.	Description	Page and Index No
A048 2955	Decal- Manual Feed	9- 8
A048 2955	Decal- Manual Feed	13- 7
A134 2868	Solenoid Bracket	17- 12
A229 2692	Damping Insulation	19- 2
A229 5496	Lower Harness	19- 18
A229 6306	Reverse Drive Shaft	19- 7
A229 6307	Reverse Driven Shaft	19- 22
A232 3566	Ball Bearing - 8x16x5	17- 4
A232 3566	Ball Bearing - 8x16x5	21- 10
A232 3566	Ball Bearing - 8x16x5	23- 2
A232 3566	Ball Bearing - 8x16x5	25- 2
A247 2900	Torque Limiter - 53mnm	19- 23
A248 6167	DC Motor - 19.2W	29- 5
A335 4351	Guide Roller	15- 12
A335 4351	Guide Roller	11- 9
A353 2243	Lever Knob	23- 15
A499 1378	Stepped Screw - M4x6	9- 13
A507 1096	Philips Screw - M5x6	33- 15
A606 1595	Small Door Cover	7- 15
A659 5390	Grounding Harness - Drawer	29- 29
A667 2656	Friction Pad	15- 2
A667 2656	Friction Pad	11- 1
A667 2660	Belt Stopper	15- 7
A667 2660	Belt Stopper	11- 6
A680 4223	Cushion	25- 8

Part No.	Description	Page and Index No.
5215 2621	Snap Ring - M6	21- 6
5215 2621	Snap Ring - M6	23- 22
5424 1064	Screw Stand	33- 12
5446 2560	Cushion - Paper Tray	31- 15
5447 2681	Snap Ring	7- 16
5447 2681	Snap Ring	17- 21
5447 2681	Snap Ring	19- 25
5447 2681	Snap Ring	27- 12
5447 2706	Gear - 15T	17- 22

Part No.	Description	Page and Index No
0313 0040B	Philips Pan Head Screw - M3x4	23-104
0353 0040B	Screw - M3X4	19-110
0353 0040B	Screw - M3X4	17-103
0450 4008B	Tapping Screw - 4x8	7-104
0450 4008B	Tapping Screw - 4x8	31-107
0450 4010B	Tapping Screw - 4x10	29-107
0450 4010B	Tapping Screw - 4x10	15-107
0450 4014W	Tapping Screw - M4x14	15-101
0450 4014W	Tapping Screw - M4x14	11-101
0451 3008B	Tapping Screw - M3x8	29-106
0451 3008B	Tapping Screw - M3x8	15-103
0451 3008B	Tapping Screw - M3x8	11-103
0451 4008B	Philips Tapping Screw - M4x8	17-101
0451 4008B	Philips Tapping Screw - M4x8	33-101
0451 4008B	Philips Tapping Screw - M4x8	25-103
0451 4008B	Philips Tapping Screw - M4x8	31-101
0451 4008B	Philips Tapping Screw - M4x8	23-102
0451 4008B	Philips Tapping Screw - M4x8	21-103
0451 4008B	Philips Tapping Screw - M4x8	15-102
0451 4008B	Philips Tapping Screw - M4x8	13-101
0451 4008B	Philips Tapping Screw - M4x8	7-102
0451 4008B	Philips Tapping Screw - M4x8	9-101
0451 4008B	Philips Tapping Screw - M4x8	29-102
0451 4008B	Philips Tapping Screw - M4x8	19-103
0451 4008B	Philips Tapping Screw - M4x8	11-102
0451 4008H	Tapping Screw - 4x8	7-101
0451 4010B	Tapping Screw - 4x10	31-106
0451 4012H	Tapping Screw - 4x12	7-103
0453 4008B	Tapping Bind Screw - M4x8	33-102
0453 4008B	Tapping Bind Screw - M4x8	31-104
0573 0030E	Hexagon Headless Set Screw - M3x3	19-105
0633 0140G	Parallel Pin - 3x14	11-105
0633 0140G	Parallel Pin - 3x14	15-105
0707 8040B	Bushing - 8x4mm	27-106
0707 8040B	Bushing - 8x4mm	29-112

Part No.	Description	Page and Index No.
0720 0030E	Retaining Ring - M3	23-103
0720 0030E	Retaining Ring - M3	21-102
0720 0030E	Retaining Ring - M3	25-101
0720 0030E	Retaining Ring - M3	19-101
0720 0040E	Retaining Ring - M4	31-103
0720 0040E	Retaining Ring - M4	27-103
0720 0040E	Retaining Ring - M4	19-102
0720 0060E	Retaining Ring - M6	17-102
0720 0060E	Retaining Ring - M6	11-104
0720 0060E	Retaining Ring - M6	29-103
0720 0060E	Retaining Ring - M6	19-104
0720 0060E	Retaining Ring - M6	15-104
0720 0060E	Retaining Ring - M6	21-101
0720 0060E	Retaining Ring - M6	31-102
0720 0060E	Retaining Ring - M6	25-102
0720 0060E	Retaining Ring - M6	23-101
0720 0060E	Retaining Ring - M6	27-101
0720 0080E	Retaining Ring - M8	29-105
0727 0080E	Retaining Ring - M8	29-110
0740 3008	Ball Bearing - 8x22x7	27-102
0741 3808	Ball Bearing - 8x16x5mm	27-105
0741 3808	Ball Bearing - 8x16x5mm	29-111
0801 0150	Philips Screw - M4x8	29-108
0802 5282	Tapping Screw - M4x8	13-102
0802 5282	Tapping Screw - M4x8	9-102
0802 5282	Tapping Screw - M4x8	11-106
0802 5282	Tapping Screw - M4x8	15-108
0802 5282	Tapping Screw - M4x8	15-106
0805 0088	Retaining Ring - M6	17-104
0805 3145	Ball Bearing - 6x12x4mm	19-106
0805 3270	Ball Bearing - 8x16x5mm	31-105
1102 0915	Connector - 10P	17-101
1102 5301	Connector - 2P	17-102
1102 5303	Connector - 4P	17-103
1102 6249	Relay Connector - 6P	31-109

Part No.	Description	Page and Index No
1102 6254	Connector - 11P	31-108
1102 6259	Connector - 2P	19-108
1102 6283	Connector - 2P	19-111
1102 6283	Connector - 2P	17-106
1102 6295	Connector - 2P	17-104
1102 6296	Connector - 3P	17-105
1102 6299	Connector - 6P	17-106
1102 6300	Connector - 7P	17-107
1102 6301	Connector - 8P	17-108
1102 6304	Connector - 11P	17-109
1102 6305	Connector - 12P	17-110
1102 6306	Connector - 13P	17-111
1102 6309	Connector - 2P	17-112
1102 6313	Connector - 6P	17-113
1102 6315	Connector - 8P	17-114
1102 6318	Connector - 11P	17-115
1102 6319	Connector - 12P	17-116
1102 6320	Connector - 13P	17-117
1105 0199	Clamp	19-109
1105 0267	Harness Clamp - YMC-10-0	17-105
1105 0267	Harness Clamp - YMC-10-0	27-104
1105 0267	Harness Clamp - YMC-10-0	25-104
1105 0267	Harness Clamp - YMC-10-0	19-107
1105 0267	Harness Clamp - YMC-10-0	29-104
1105 0291	Harness Clamp - LWS-3S	29-101
1105 0291	Harness Clamp - LWS-3S	33-103
1105 0310	Harness Clamp - LWS-1S	29-109
1105 0310	Harness Clamp - LWS-1S	25-106
1105 0358	Edge Saddle - EDS-0607M	25-105
1109 0015	Circuit Protector - SMD050	17-118
1109 0016	Circuit Protector - SMD075	17-119
1400 0555	Transistor - DTC143EK	17-120
1402 0688	Diode	17-121
1402 1378	Diode - PTZ12A	17-122
1407 1535	IC - TD62308AP	17-123

Part No.	Description	Page and Index No.
1407 2187	TTLIC - SN74LS07NS	17-124
1407 2231	IC - TD62308AF	17-125
1407 3168	IC - TC74HC251AF	17-126
1407 3173	Driver - 16bit - M66311FP	17-127
1407 3257	CMOSIC - TC74HC14AF	17-128
1407 5002	IC - M66310FP	17-129
1408 0827	IC - TA8429H	17-130
1630 4102	Resistor - 1.0K $\Omega$ $\pm$ 5% 1/1	17-131
1630 4103	Resistor - 10K $\Omega$ $\pm$ 5% 1/16	17-132
1630 4472	Resistor - 4.7K $\Omega$ $\pm$ 5% 1/1	17-133
1631 0000	Resistor - 0 $\Omega$ 1/4W	17-134
1634 0000	Resistor - 0 $\Omega$ 1/16W	17-135
1640 5470	Capacitor - 47 $\mu$ F $\pm$ 20% 50V	17-136
1660 2150	Capacitor - 15pF $\pm$ 5% 50V	17-137
1660 2471	Capacitor - 470pF - $\pm$ 5% -	17-138
1660 4102	Capacitor - 1000pF $\pm$ 10% 50	17-139
1660 4103	Capacitor - 10000pF - $\pm$ 10%	17-140

Part No.	Description	Page and Index No.